

# **BALDOR**® • ***RELIANCE***

## **Product Information Packet**

# **GPP2538**

**G.M. L32LA 90V DC 345 RPM 5:1 GPP2538**

Part Detail							
Revision:	K	Status:	PRD/A	Change #:		Proprietary:	No
Type:	DC	Prod. Type:		Elec. Spec:	25WGZ033	CD Diagram:	
Enclosure:	TENV	Mfg Plant:		Mech. Spec:		Layout:	
Frame:	PSLH	Mounting:		Poles:	///	Created Date:	05-18-2006
Base:		Rotation:	R	Insulation:	F	Eff. Date:	12-06-2010
Field Type:		Literature:		Elec. Diagram:		Replaced By:	

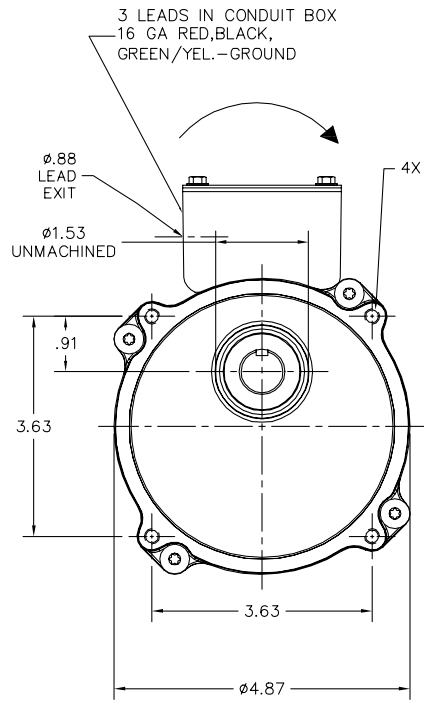
Nameplate NP1220A14			
CAT.NO.	GPP2538		
SER.NO			
SPEC.	25A155Z033G3		
FRAME	PSLH	TYPE	2532P
HP	.33	TE	
VOLTS	90		
AMP	3.2		
F.F.	1.4	CLASS	F
AMB.	40	DUTY	CONT
BRUSHES	2/BP5040BP01		
R.P.M.	345		
TORQ/IN LB	55		
RATIO	5:1		
APRV-CSA		APRV-UL	

Parts List		
Part Number	Description	Quantity
SA145254	SA 25A155Z033G3	1.000 EA
AA012257	AA 25A155Z033G3	1.000 EA
LC0899A02	CONNECTION LABEL FOR TYPE DCPM	1.000 EA
BP5040BP01	BRUSH 5/16 X 7/16	2.000 EA
HG0076A05BL	HSG,PSL EP 25DC LONG HOUSING	1.000 EA
BMH1714	WASHER,PREC 1.259"X.756"X.010"	2.000 EA
HW5002A95	N5002-125 32MM BEVELED INTERNAL RET RING	1.000 EA
HW4600D28	SEAL,10X20X4MM TCM #03907815PSCW	1.000 EA
HA4021A05	1/16 NPSF-HX SOC PIPE PLUG TAPER DRY SEA	1.000 EA
25EP2102A04L	ENDPLATE, 25 FRAME BRUSH W/BLACK POWDER	1.000 EA
BP4533	BRUSH HOLDER; 6010-DF-SS-1062-TP	2.000 EA
80XN1032A04	10-32 X 1/4 SET SCREW	2.000 EA
BP4534	BRUSH TUBE CAP:BBR1095	2.000 EA
HW5109A05	WASHER, WAVE SPRING FOR 40MM BORE SMALLE	1.000 EA
LD0127A02	ASM,3LD RED,BLK,GRN RING TERM (10")	1.000 EA
WD4102A01	SR-6L-1 HEYCO STRN RELIEF OR 23MPO6L10 M	1.000 EA
WD4544A01	CABLE CLAMP,.250 DIA MICRO PLASTICS 22CC	1.000 EA
15XM0832A06	SCREW, 8-32X .375, THREAD FORMING	1.000 EA
HA6569L	ADAPTER PLATE, CONDUIT BOX PAINTED	1.000 EA
51XT0832G05	SCREW,HEX HD 8-32 X 5/16 GRN.	1.000 EA
HA3100A45	THRUBOLT 10-32 X 8.875	2.000 EA
HW1004A10	WASHER,LOCK,#10 INT. TOOTH	2.000 EA
33CB3001L	BOX, CAST W/BLACK EPOXY POWDER	1.000 EA
33GS1006	GASKET CONDUIT BOX (LEXIDE)	2.000 EA

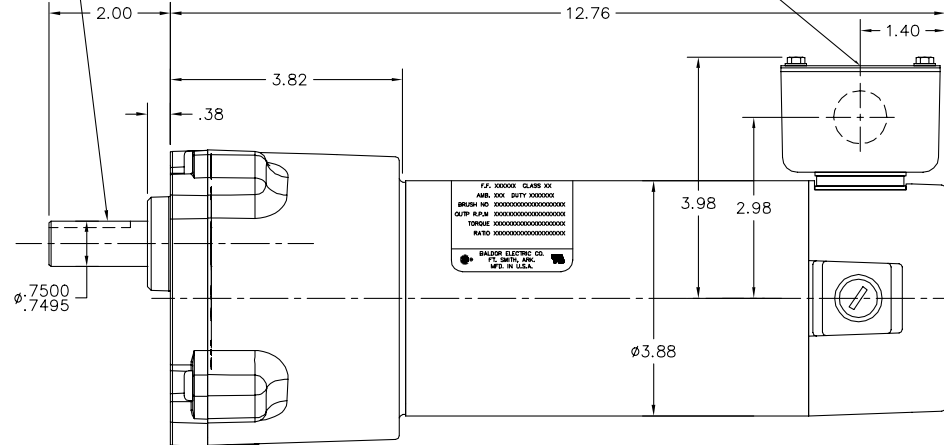
Parts List (continued)		
Part Number	Description	Quantity
51XN0832A12	8-32 HEX SLOT WSHR HD MACH SC GRADE 2, Z	4.000 EA
34GS1001	GASKET, STD CONDUIT BOX LID (LEXIDE)	1.000 EA
34CB4500L	CONDUIT BOX LID W/BLACK EPOXY POWDER	1.000 EA
15XM0832A06	SCREW, 8-32X .375, THREAD FORMING	4.000 EA
BGS01214	SHAFT,ASSY PSLH LONG INT1 2RED 1.0/5.0	1.000 EA
BGS01215	SHAFT,ASSY PSLH LONG OUTP 2RED 0.0/1.0	1.000 EA
CG0012A01BL	CAP, PSL GEAR HEAD	1.000 EA
BH1163A03	SCE1212 INA NEEDLE ROLLER BBG1027	1.000 EA
HW4600D39	SEAL, .750 X 1.250 X .250 SINGLE	1.000 EA
RM1020A22	O-RING .070 X 4.527	1.000 EA
HW3064E05	1/8 X 1/2 PIN DRIVE LOK TYPE H	1.000 EA
MJ1000B02	KLUB. GH6-460 GEAR OIL 1 LB	0.112 GA
60XM2520A12	SCREW,PAN TORX 1/4-20X.750 THREAD FORMIN	4.000 EA
NP1220A14	NP,DC STD AD NONE V CSA UL GEAR MOTOR	1.000 EA
BMH1910	KEY 3/16X3/16X1 1/8 AUTO X	1.000 EA
BMH4712	KEY LOCKING RING 3/4"	1.000 EA
CPA1001	PACKING GROUP OVERSIZED SINGLE	1.000 EA
LB1125A01SP	STOCK MTR CARTON LABEL LASER PRINTER	1.000 EA

<b>Accessories</b>		
<b>Part Number</b>	<b>Description</b>	<b>Multiplier</b>
LB75	BASE, L BRACKET 34 FRAME PSL KIT GRAY	A8
BC138	KBWM-120 120VAC .25-HP SCR CTL, N	E9
BC140	CS2934A, 120/240VAC .5/1-HP SCR CTL, NEMA	E9
BC140-FBR	W/FOR BRAKE REV SWITCH	E9
BR0035	PLUG IN RESISTOR	E9

25A155Z033G3



.188 X .093 X  
1.250 KEYWAY



CUSTOMER IS RESPONSIBLE FOR DETERMINING THAT BALDOR'S PRODUCT WILL PERFORM SUITABLY IN THE INTENDED APPLICATION.

REV. DESC: ADD CALL OUT FOR WIRE SIZE		
REV. LTR: B	VERSION: 02	TDR: 000000547980
FILE: \CKA\00029\985	REVISED: 10:00:56 07/01/2010	BY: CKGLEHO
MTL: -		

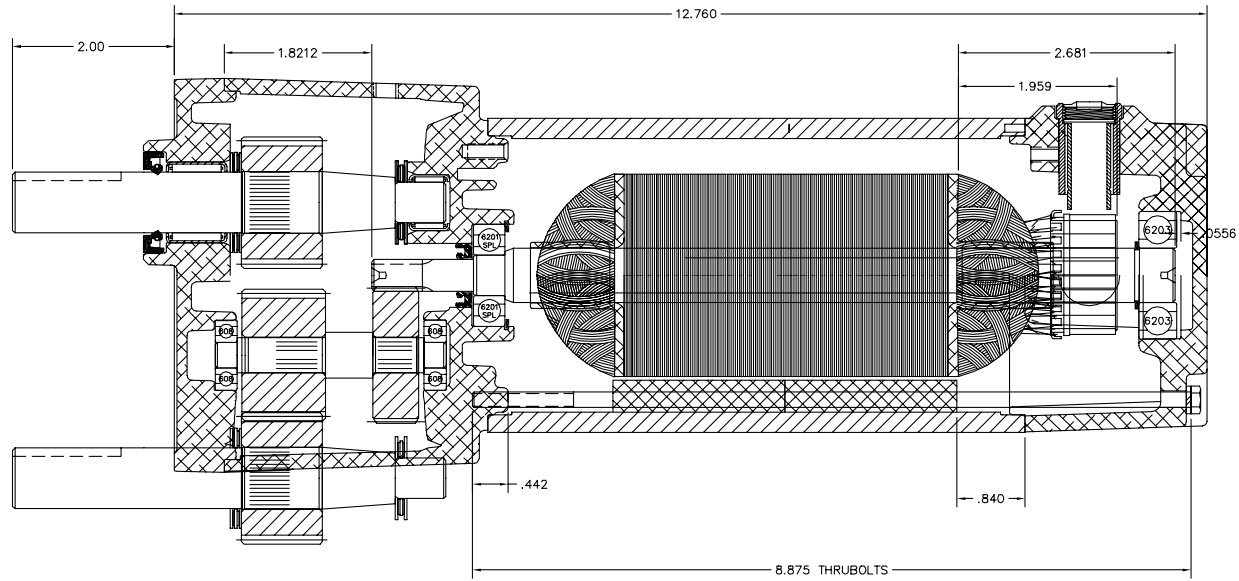
**BALDOR • DODGE • RELIANCE**

LY,25DC PSLH DOM TENV INT. HOUSING

SH 1 of 2

25A155Z033G3

25A155Z033G3



25A155Z033G3

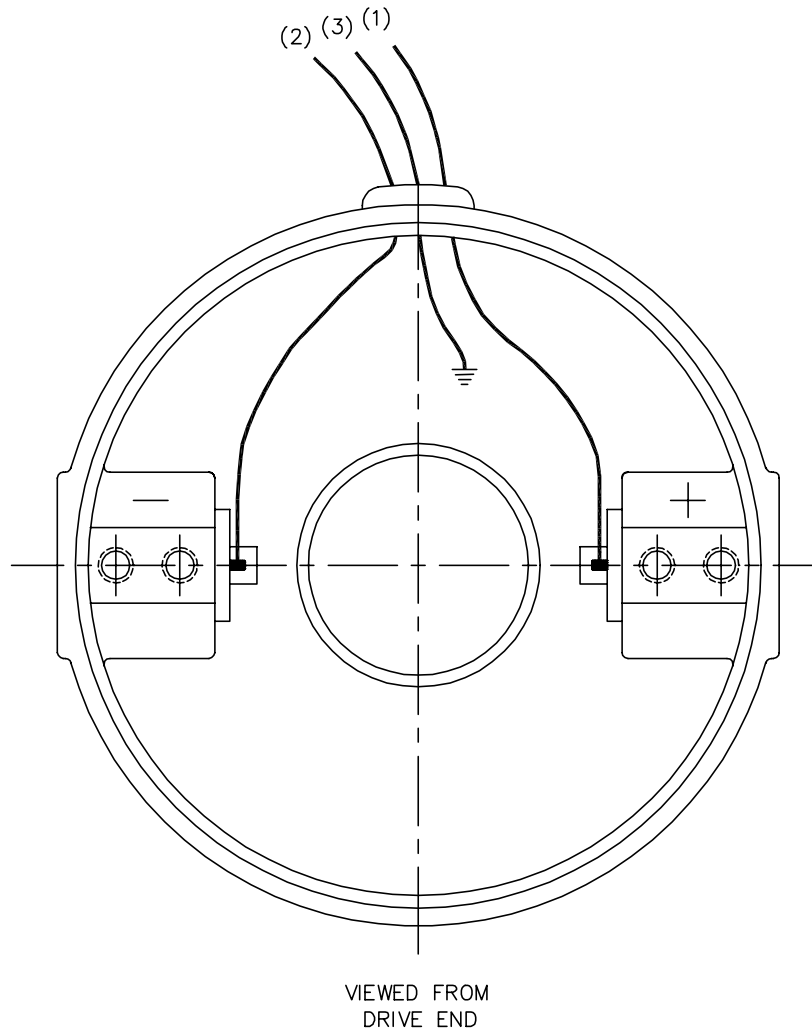
CUSTOMER IS RESPONSIBLE FOR DETERMINING THAT BALDOR'S PRODUCT WILL PERFORM SUITABLY IN THE INTENDED APPLICATION.

REV. DESC: ADD CALL OUT FOR WIRE SIZE		
REV. LTR: B	VERSION: 02	TDR: 000000547980
FILE: \CKA\00029\985	REVISED: 10:00:56 07/01/2010	BY: CKGLEHO
MTL: -		

**BALDOR • DODGE • RELIANCE**

LY,25DC PSLH DOM TENV INT. HOUSING  
SH 2 of 2

CD1918



(1) COLOR MAY BE  
RED  
WHT  
BLU

(2) COLOR MAY BE  
BLK  
BRN

(3) COLOR WHEN REQ.  
GRN  
GRN/YEL

VIEWED FROM  
DRIVE END

REV. DESC: NEW		VERSION: 00		TDR: 000000353283	
REV. LTR: -		FILE: \CKA\00026\698		REVISED: 05:52:44 01/21/2005	
816100		MTL: -		BY: CKPHIWO	

**BALDOR ELECTRIC Co.**

PM,2LD,REV,TANG,CK

CD1918