

# **BALDOR**® • *RELIANCE*

## **Product Information Packet**

# **CDPWD3445**

**1HP,1750RPM,DC,56C,3435P,TEFC,F1**

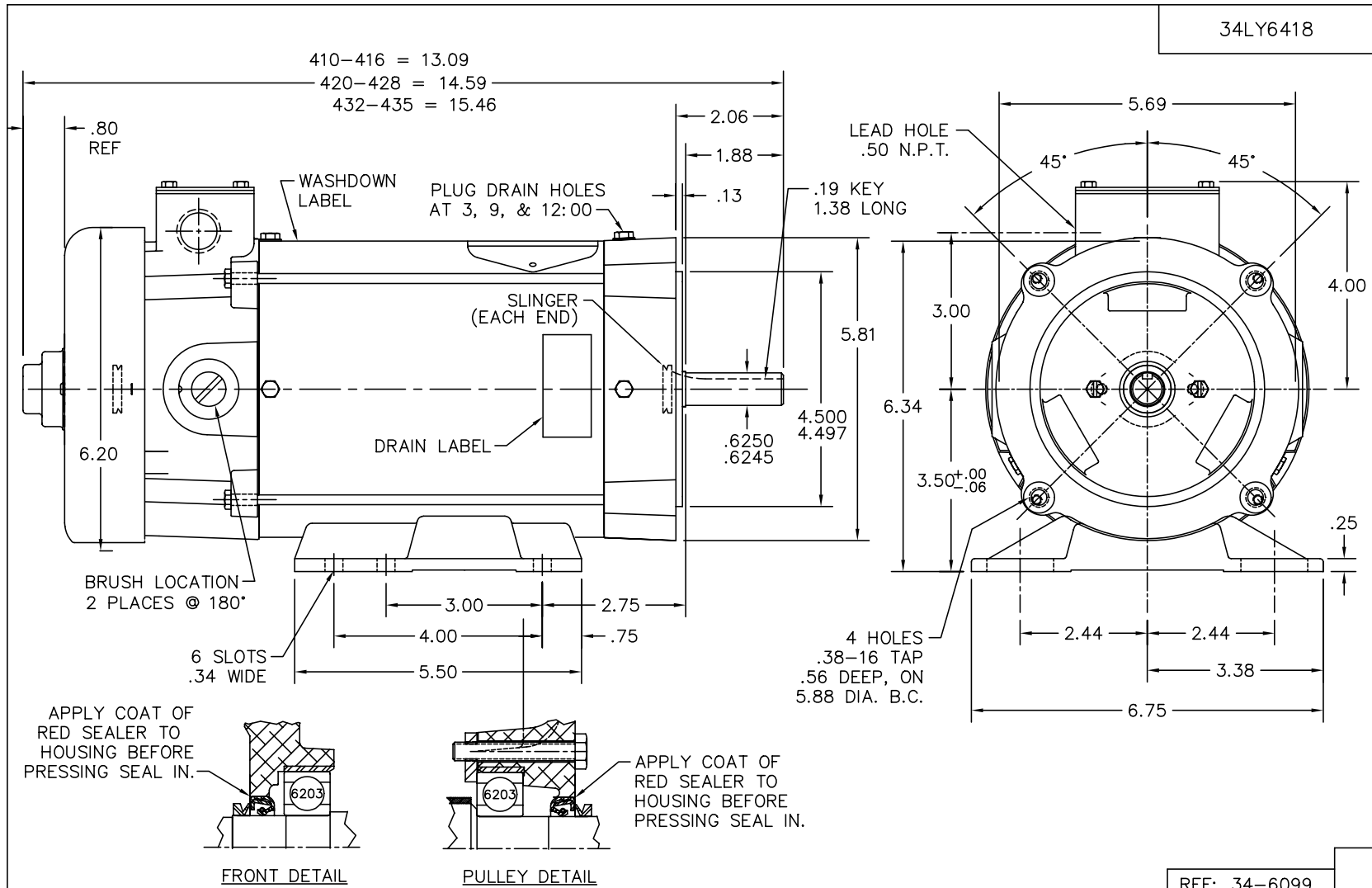
| Part Detail |      |             |       |                |          |               |            |
|-------------|------|-------------|-------|----------------|----------|---------------|------------|
| Revision:   | Z    | Status:     | PRD/A | Change #:      |          | Proprietary:  | No         |
| Type:       | DC   | Prod. Type: |       | Elec. Spec:    | 34WG3675 | CD Diagram:   |            |
| Enclosure:  | TEFC | Mfg Plant:  |       | Mech. Spec:    | 34-6418  | Layout:       |            |
| Frame:      | 56C  | Mounting:   | F1    | Poles:         | ///      | Created Date: |            |
| Base:       | RG   | Rotation:   | R     | Insulation:    | F        | Eff. Date:    | 02-24-2011 |
| Field Type: |      | Literature: |       | Elec. Diagram: |          | Replaced By:  |            |

**Nameplate NP1509**

|          |              |         |       |  |         |  |  |
|----------|--------------|---------|-------|--|---------|--|--|
| CAT.NO.  | CDPWD3445    |         |       |  |         |  |  |
| SPEC.    | 34-6418-3675 |         |       |  |         |  |  |
| HP       | 1            | ENCL    | TEFC  |  |         |  |  |
| RPM      | 1750         |         |       |  |         |  |  |
| FRAME    | 56C          | TYPE    | 3435P |  |         |  |  |
| ARM V    | 90           | ARM A   | 10    |  |         |  |  |
| FLD V    |              | FLD A   |       |  |         |  |  |
| INSUL    | F            | AMB.    | 40    |  |         |  |  |
| DUTY     | CONT         | SUPPLY  | 1.5   |  |         |  |  |
| BRG/DE   | 6203         | BRG/ODE | 6203  |  |         |  |  |
| BRUSHES  | 2/BP5000BK08 |         |       |  |         |  |  |
|          |              | BLANK   |       |  |         |  |  |
| SER.     |              |         |       |  |         |  |  |
| BLANK    |              |         |       |  |         |  |  |
| APRV-CSA |              | APRV-UL |       |  | APRV-CE |  |  |

| Parts List    |  |          |
|---------------|--|----------|
| Part Number   | Description                              | Quantity |
| SA005387      | SA 34-6418-3675                          | 1.000 EA |
| AA003036      | AA 34-6418-3675                          | 1.000 EA |
| BP5000BK08SP  | CARBON BRUSH - GRADE SA-35               | 1.000 EA |
| HA3210B66     | .125 DIA X .281 (AUTO)                   | 2.000 EA |
| 11XW1032G06   | 10-32 X .38, TAPTITE II, HEX WSHR SLTD U | 1.000 EA |
| HW3001B01     | 003SS CUP WASHER, FOR #8 SCREW           | 1.000 EA |
| 34EP3103B50W  | FR EP MACH 34PM TEFC W/NPT LH, SPL DRN L | 1.000 EA |
| 51XB1016A06   | 10-16X3/8 HXWSSLD SERTYB                 | 3.000 EA |
| WD4100A17     | PLUG STIMPSON D4036                      | 1.000 EA |
| HW5100A03SP   | WAVY WASHER (W1543-017)                  | 1.000 EA |
| 34EP3300A41W  | PU ENDPLATE 56C 34-ENCL FOR WASHDOWN DC  | 1.000 EA |
| 19XA1016S06   | 10-16X 3/8" TYPE AB SS X                 | 3.000 EA |
| 11XN1032S22   | 10-32 X 1-3/8 HEX WASHER HEAD, SLOTTED   | 2.000 EA |
| BP5201A17     | BRUSH HOLDER - WITHOUT CAP & CONN.       | 2.000 EA |
| 80XN1032A03   | 10-32 X 3/16 SET SCREW                   | 2.000 EA |
| 34FN3002A01SP | EXTERNAL FAN, PLASTIC, .637/.639 HUB W/  | 1.000 EA |
| 34FH5002A01SP | FAN COVER ASSY W/SHAFT COVER             | 1.000 EA |
| 11XW1032S06   | 10-32 X .38, TAPTITE II, HEX WSHR SLTD U | 3.000 EA |
| 34CB4504W     | CON.BOX LID W/WHITE POWDER COAT          | 1.000 EA |
| 34GS1011A03   | GASKET, CONDUIT BOX LID (.062 WHITE)     | 1.000 EA |
| 11XT0832S07   | 08-32 X 7/16 HX SL WS HD, 304 STAINLESS  | 2.000 EA |
| HW4600B39SP   | SEAL 0.550 X .790 X .180 FACE SEALING    | 1.000 EA |
| HW4600B39SP   | SEAL 0.550 X .790 X .180 FACE SEALING    | 1.000 EA |
| LB1164        | LABEL,WARNING AND DRAIN                  | 1.000 EA |

| Parts List (continued) |  |          |
|------------------------|--|----------|
| Part Number            | Description                              | Quantity |
| HW2502D13              | SS KEY, 3/16 SQ X 1.375                  | 1.000 EA |
| HA7000A04              | KEY RETAINER 0.625 DIA SHAFTS            | 1.000 EA |
| BP4543A01              | BRUSH HOLDER CAP, AE-74-SO W/O'RING      | 2.000 EA |
| BP3000A02SP            | AMP LEAD CLIP #60812-2 SPL               | 1.000 EA |
| HW4600A54              | SEAL 0.668 X 1.064 X 0.250 DOUBLE SHIELD | 1.000 EA |
| HW4600A54              | SEAL 0.668 X 1.064 X 0.250 DOUBLE SHIELD | 1.000 EA |
| WD4102A01              | SR-6L-1 HEYCO STRN RELIEF OR 23MPO6L10 M | 1.000 EA |
| MG1025W01              | PAINT- 781-01 WILKOFASST WHITE EPOXY     | 0.014 GA |
| MJ5001A01              | 46-665 RED SEALER                        | 0.001 QT |
| MJ5004A05              | #242-21 LOCTITE GENERAL PURPOSE MED. STR | 0.001 EA |
| 10XF0440S02            | 04-40 X 1/8 TYPE F HEX HD STAINLESS STIC | 2.000 EA |
| ML1424B14              | UL3321,150C,14 GA,BLACK, #A1             | 8.500 IN |
| ML1425B14              | UL3321,150C,14 GA,BLACK, #A2             | 8.500 IN |
| HA3100S11              | THRUBOLT - 10-32 X 8.500 W               | 4.000 EA |
| LB1125C01              | STD (STOCK) CARTON LABEL BALDOR WITH FLA | 1.000 EA |
| LC0194                 | CONNECTION LABEL FOR TYPE PM-DC MOTOR W/ | 1.000 EA |
| LB5040                 | INSTRUCTION TAG, AC & DC                 | 1.000 EA |
| NP1509                 | DC, WD, UL CE CSA, W/O THERMAL           | 1.000 EA |
| 27PA1001               | PACKAGING GROUP                          | 1.000 EA |



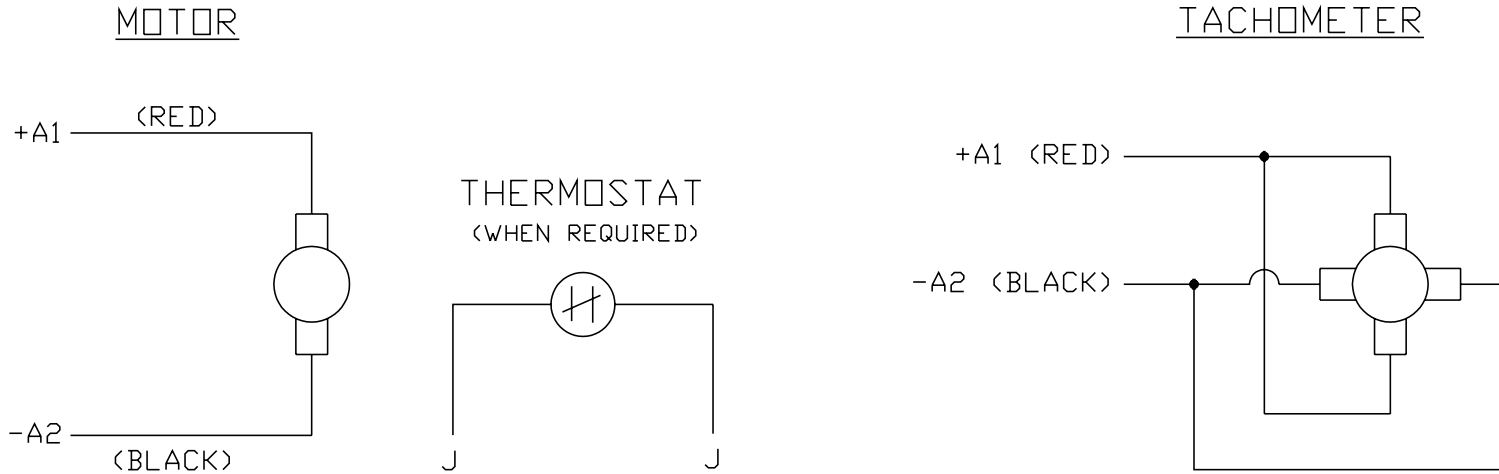
|   |  |                   |  |                         |  |              |  |   |  |       |  |
|---|--|-------------------|--|-------------------------|--|--------------|--|---|--|-------|--|
| CUST. NAME                                  |  | CUST. P.O.        |  | CERTIFIED BY            |  | MODEL        |  | INSUL   |  | AMB   |  |
| H.P.  |  | MTG               |  | TYPE                    |  | R.P.M.       |  | VOLTS   |  | ENCL  |  |
| REV. LTR: G                                 |  | BY: YD            |  | REVISED: 06/19/00 11:26 |  | TDR: 0212812 |  | PHASE   |  | FREQ  |  |
| REV. DESC: OMIT "EA. SIDE" FROM DRAIN LABEL |  | FILE: AAA00022476 |  | MDL: -                  |  | MNL: -       |  | STD HORZ 34PM NEMA 56C TEFC S/P#9 WASHDOWN W/MFTK |  | FRAME |  |
| 34LY6418                                    |  | MTL: AAA00022476  |  |                         |  |              |  |   |  |       |  |

**BALDOR ELECTRIC Co.**

REF: 34-6099

34LY6418

CD0194



NOTES:

1. CCW ROTATION AS SHOWN FACING COMMUTATOR END. TO REVERSE MOTOR ROTATION OR TACHOMETER OUTPUT POLARITY INTERCHANGE LEADS A1(RED) & A2(BLACK)
2. LEAD COLORS FOR REFERENCE ONLY & NOT SPECIFIED BY THIS DRAWING. LEAD COLORS SPECIFIED BY LAYOUT DRAWING & BILL OF MATERIAL ONLY.

|         |  |        |                   |
|---------|--|--------|-------------------|
| MATL: - |  |        |                   |
| REV: E  | ADDED NOTE "LEAD COLORS FOR REFERENCE ONLY &..." |        |                   |
| 761000  | SCALE: -   | BY: CK | REVISED: 07/28/95 |
|         | FILE: AAA00004503                                |        | TDR: 0078737      |

**BALDOR ELECTRIC Co.**

CD TYPE P DC PERMANENT MAGNET MOTORS AND TACHOMETERS

CD0194