

BALDOR® • *RELIANCE*

Product Information Packet

M7054T

15//10HP,1765//1470RPM,3PH,60//50HZ,254T

Part Detail							
Revision:	G	Status:	INA/A	Change #:		Proprietary:	No
Type:	AC	Prod. Type:	0936M	Elec. Spec:	09WGZ496	CD Diagram:	
Enclosure:	XPFC	Mfg Plant:		Mech. Spec:	09E270	Layout:	
Frame:	254T	Mounting:	F1	Poles:	04	Created Date:	03-27-2009
Base:	RG	Rotation:	R	Insulation:	B	Eff. Date:	01-24-2011
Leads:	9#12	Literature:		Elec. Diagram:		Replaced By:	
Nameplate NP1426XP							
NO.				CC		010A	
SER.							
SPEC.		09E270Z496H1					
CAT.NO.							
HP		15//10		T. CODE		T3C	
VOLTS		230/460//190/380					
AMPS		36/18//30/15					
RPM		1765//1470					
HZ		60//50		PH		3	CL B
SER.F.		1.00		DES		B	CODE G
RATING		40C AMB-CONT					
FRAME		254T		NEMA-NOM-EFF		91	PF 85
USABLE AT 208V							

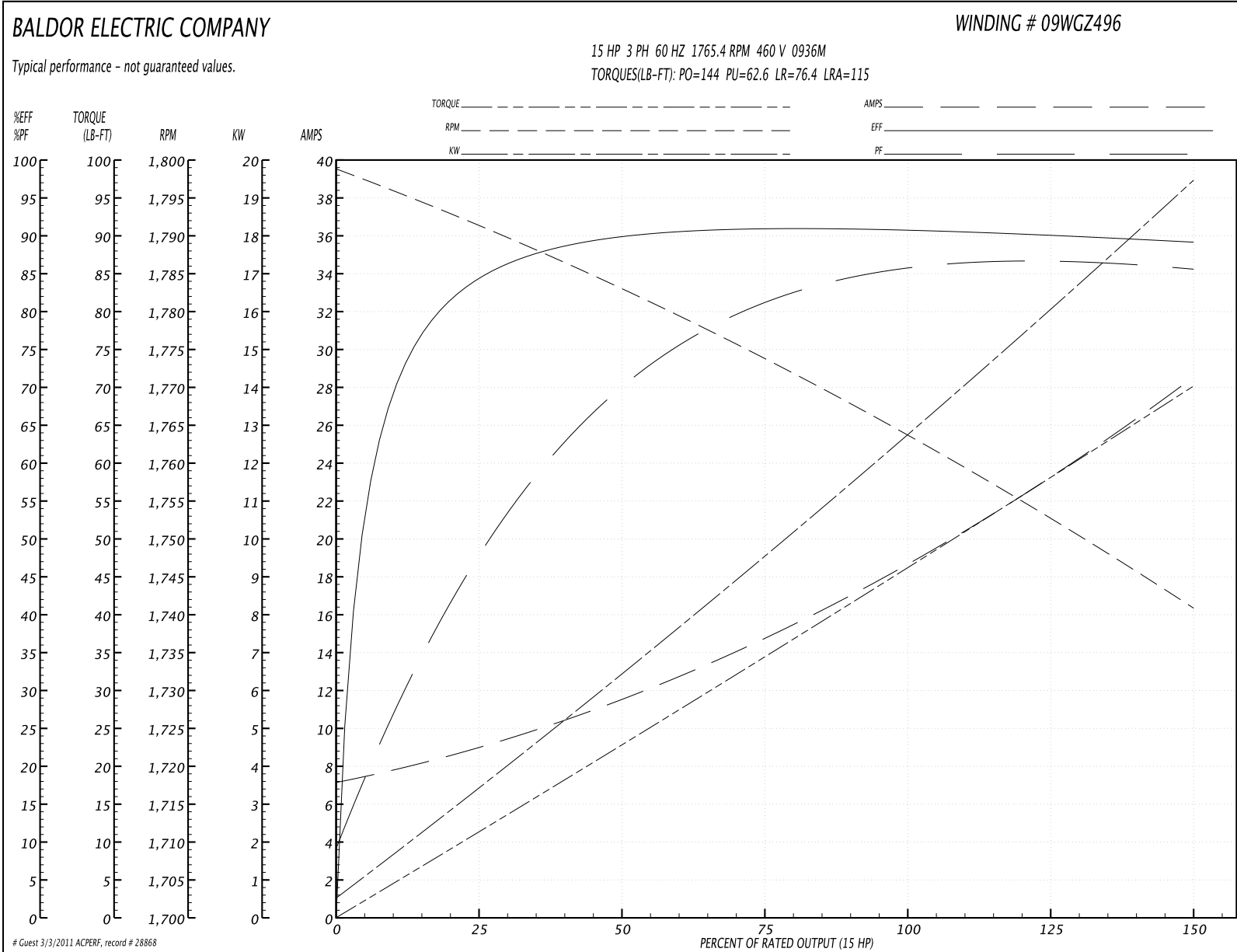
Parts List		
Part Number	Description	Quantity
SA180660	SA 09E270Z496H1	1.000 EA
RA168617	RA 09E270Z496H1	1.000 EA
09FN3001C01	EXTERNAL FAN, PLASTIC	1.000 EA
MJ5000A01	SEALANT, CHICO A COMPOUND	0.031 LB
09CB1000A01SP	CONDUIT BOX, MACH	1.000 EA
10XN3118K16	5/16-18 X 1" GRADE #5, STL, ZINC PLATE	4.000 EA
HW1001A31	LOCKWASHER 5/16, ZINC PLT.591 OD, .319 I	4.000 EA
WD1000B16	LUGSDIRECT WIRE LUG, CAT # S4	1.000 EA
10XN2520K06	1/4-20 X 3/8" HX HD SCREWGRADE 5, ZINC P	1.000 EA
HW1001A25	LOCKWASHER 1/4, ZINC PLT .493 OD, .255 I	1.000 EA
09EP1700A01	FR ENDPLATE, MACH	1.000 EA
10XN3816K28	3/8-16 X 1.75 HEX HD CAP SCREW, GRADE 5	4.000 EA
HW1001A38	LOCKWASHER 3/8, ZINC PLT .688 OD, .382 I	4.000 EA
HW5100A08	W3118-035 WVY WSHR (WB)	1.000 EA
10XN2520K36	1/4-20 X 2.25" HX HD SCRWGRADE 5, ZINC P	4.000 EA
HW1001A25	LOCKWASHER 1/4, ZINC PLT .493 OD, .255 I	4.000 EA
09EP1707A01	PU ENDPLATE, MACH	1.000 EA
10XN3816K28	3/8-16 X 1.75 HEX HD CAP SCREW, GRADE 5	4.000 EA
HW1001A38	LOCKWASHER 3/8, ZINC PLT .688 OD, .382 I	4.000 EA
09FH1004A01	FAN COVER, MACH	1.000 EA
10XN2520K16	1/4-20 X 1" HX HD SCRW GRADE 5, ZINC P	3.000 EA
HW1001A25	LOCKWASHER 1/4, ZINC PLT .493 OD, .255 I	6.000 EA
HW1001A25	LOCKWASHER 1/4, ZINC PLT .493 OD, .255 I	3.000 EA
09CB1500A01SP	CONDUIT BOX LID, MACH	1.000 EA

Parts List (continued)		
Part Number	Description	Quantity
10XN2520K16	1/4-20 X 1" HX HD SCRW GRADE 5, ZINC P	6.000 EA
HW2501G25	KEY, 3/8 SQ X 2.875	1.000 EA
LB1115	LABEL,LIFTING DEVICE	1.000 EA
HW4500A20	1/8NPT SL PIPE PLUG	2.000 EA
MJ1000A75	GREASE, POLYREX EM EXXON	0.080 LB
HW4500A20	1/8NPT SL PIPE PLUG	2.000 EA
HW2500A25	WOODRUFF KEY USA #1008 #BLOW CARBON STEE	1.000 EA
51XB1214A20	12-14X1.25 HXWSSLD SERTYB	1.000 EA
MG1025G05	PAINT 789.201 (WILCO) DARK GRAY METALLIC	0.050 GA
85XU0407A04	#4-7 X 1/4 DRIVE PIN	6.000 EA
LB1073	LABEL, UL/CSA "XP"	1.000 EA
LB5040	INSTRUCTION TAG, AC & DC	1.000 EA
LB1119	WARNING LABEL	1.000 EA
LB1125C04	STD-E (STOCK CTN LABEL STD-E WITH FLAG)	4.000 EA
LC0145B01	CONNECTION LABEL	1.000 EA
NP1426XP	UL/CSA, CLI GP-D,CLII GP-F&G,CC	1.000 EA
40PA1005	PACKAGING GROUP, 09 STD	1.000 EA

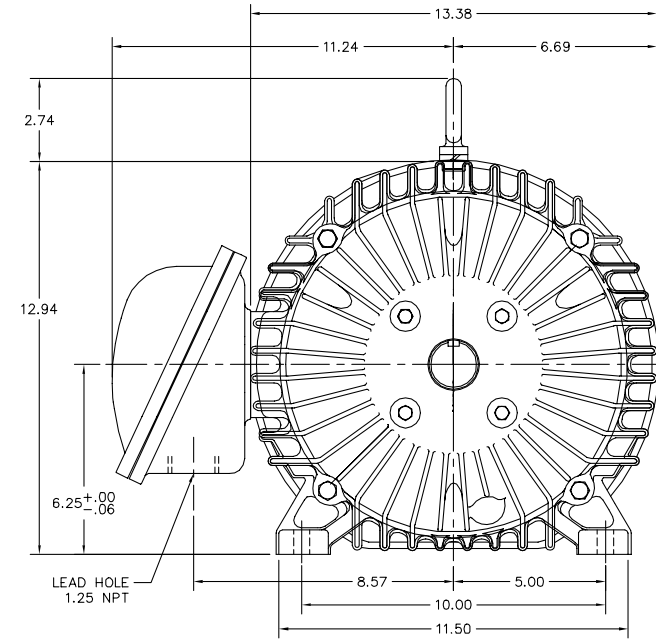
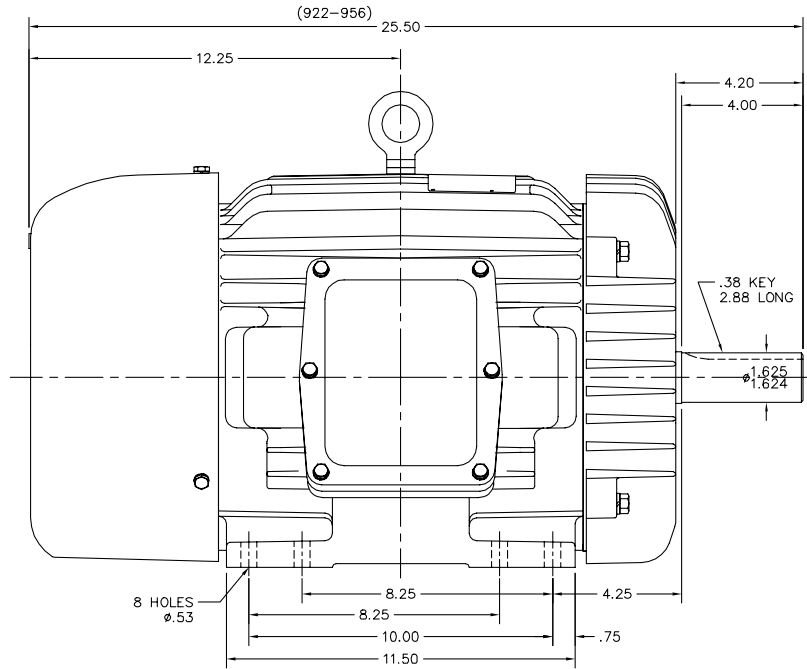
Performance Data at 460V, 60Hz, 15.0HP (Typical performance - Not guaranteed values)

General Characteristics							
Full Load Torque:	44.5 LB-FT			Start Configuration:	DOL		
No-Load Current:	7.37 Amps			Break-Down Torque:	144.0 LB-FT		
Line-line Res. @ 25°C.:	0.72308 Ohms A Ph / 0.0 Ohms B Ph			Pull-Up Torque:	62.6 LB-FT		
Temp. Rise @ Rated Load:	45 C			Locked-Rotor Torque:	76.4 LB-FT		
Temp. Rise @ S.F. Load:				Starting Current:	115.0 Amps		
Load Characteristics							
% of Rated Load	25	50	75	100	125	150	S.F.
Power Factor:	48.0	70.0	79.0	85.0	87.0	86.0	0.0
Efficiency:	83.4	89.5	90.9	91.0	90.4	89.0	0.0
Speed:	1791.6	1783.6	1775.0	1765.4	1754.6	1740.8	0.0
Line Amperes:	8.53	11.2	14.5	18.2	22.4	28.5	0.0

Performance Graph at 460V, 60Hz, 15.0HP Typical performance - Not guaranteed values



09LYE270



CUSTOMER IS RESPONSIBLE FOR DETERMINING THAT MOTOR PERFORMANCE IS SUITABLE IN THE APPLICATION.

REV. DESC: CORRECTED TOLERANCE OF KOBX HEIGHT FROM BASE		
REV. LTR: D	VERSION: 01	TDR: 000000408081
FILE: \AAA\00000\626	REVISED: 10:41:21 09/13/2006	BY: ENNICO
MTL: -		

BALDOR ELECTRIC Co.

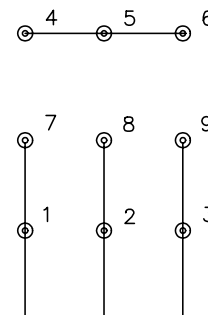
STD XPFC 254-6T CL.I GP.D,CL.II GP.F&G

09LYE270

CD0005

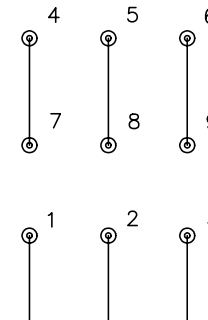


LOW VOLTAGE
(2Y)



LINE

HIGH VOLTAGE
(1Y)



LINE

NOTES:

1. INTERCHANGE ANY TWO LINE LEADS TO REVERSE ROTATION.
2. OPTIONAL THERMOSTATS ARE PROVIDED WHEN SPECIFIED.
3. ACTUAL NUMBER OF INTERNAL PARALLEL CIRCUITS MAY BE A MULTIPLE OF THOSE SHOWN ABOVE.
4. LEAD COLORS ARE OPTIONAL. LEADS MUST ALWAYS BE NUMBERED AS SHOWN.

REV. DESC: REVISE TO SHOW OPTIONAL COLORS			
REV. LTR: E	BY: JLP	REVISED: 01/19/99 10:15	TDR: 0171435
900000		FILE: AAA00005140	MDL: -
		MTL: -	

BALDOR ELECTRIC Co.

3PH, DV, 9 LEADS

CD0005