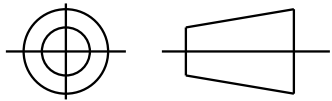
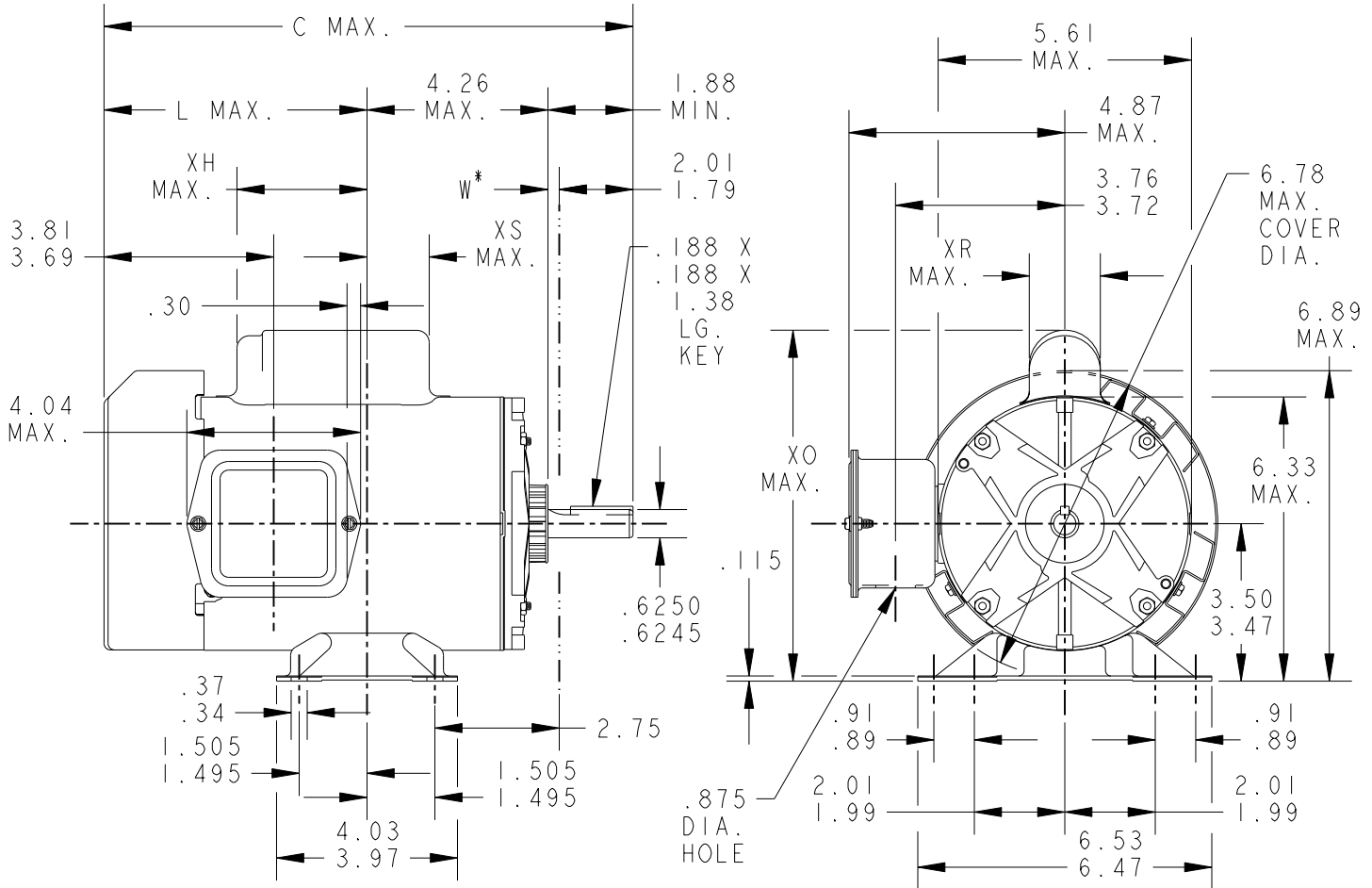


THIRD ANGLE PROJECTION



REVISIONS

REV.	DESCRIPTION	DATE	APPROVED
12	PER ISO5-2681	10/19/05	RAJKUMAR




W\* IS A CLEARANCE DUE TO VARIATION IN PARTS AND ASSEMBLY

5	KC	38	56	12.36	6.18	3.58	7.81	1.60	2.09	10	KC	32	56	10.38	4.24	1.89	7.81	1.60	2.52	
4	KC	37	56	11.76	5.58	2.98	7.81	1.60	2.69	9	KC	37	56	11.76	5.58	2.98	8.43	2.22	2.69	
3	KC	36	56	11.36	5.18	2.58	7.81	1.60	2.69	8	KC	35	56	10.93	4.75	2.15	8.43	2.22	2.31	
2	KC	35	56	10.93	4.75	2.15	7.81	1.60	2.31	7	KC	32	56	10.30	4.12	1.52	7.81	1.60	2.46	
1	KC	33	56	10.55	4.37	1.77	7.81	1.60	2.71	6	KC	39	56	12.89	6.71	4.11	8.43	2.22	1.56	7.75

P	TYPE	GE SIZE	NEMA FR	C	L	XH	XO	XR	XS	SHELL LGTH.	P	TYPE	GE SIZE	NEMA FR	C	L	XH	XO	XR	XS	SHELL LGTH.
---	------	---------	---------	---	---	----	----	----	----	-------------	---	------	---------	---------	---	---	----	----	----	----	-------------

SIGNATURES		DATE
MODEL	D.E. KAISER	07/22/76
DETAIL	.	.
CHECKED	.	.
ENGRG	.	.
MFG	.	.
FOR ADDITIONAL INFO REFER TO:	QUALITY	.
APPLIED PRACTICES	ISSUED	MDP 05/24/96
DIMENSIONS ARE IN INCHES	SOLID MODEL: 52A101983	



**REGAL-BELOIT CORPORATION**

TITLE

## OUTLINE

**GENERAL PURPOSE MOTOR - FORM N - TOTALLY ENCLOSED  
OUTBOARD FAN - WELDED BASE - BALL BEARING**

SIZE DRAWING

# 52A101983

SCALE: 1.000 REF. No: . SHEET 1 of 1

