

# **BALDOR**® • *RELIANCE*

## **Product Information Packet**

# **VL5027**

**2HP,1725RPM,1PH,60HZ,184C,X3634L,XPFC,F1**

Part Detail							
Revision:	AF	Status:	PRD/A	Change #:		Proprietary:	No
Type:	AC	Prod. Type:	3634L	Elec. Spec:	36WG0203	CD Diagram:	
Enclosure:	XPFC	Mfg Plant:		Mech. Spec:	36N013	Layout:	
Frame:	184C	Mounting:	F1	Poles:	04	Created Date:	
Base:	N	Rotation:	R	Insulation:	B	Eff. Date:	03-01-2010
Leads:	4#14 A PH,2#16 B	Literature:		Elec. Diagram:		Replaced By:	

Nameplate NP0015XP							
NO.		CC					
SER.							
SPEC.	36N13-203						
CAT.NO.	VL5027						
HP	2	T. CODE	T2C				
VOLTS	115/208-230						
AMPS	22/11.6-11						
RPM	1725						
HZ	60	PH	1	CL	B		
SER.F.	1.00	DES	L	CODE	H		
RATING	40C AMB-CONT						
FRAME	184C	NEMA-NOM-EFF	75	PF	81		
USABLE AT 208V	11.6						

Parts List		
Part Number	Description	Quantity
SA037378	SA 36N13-203	1.000 EA
RA033403	RA 36N13-203	1.000 EA
EC1400A03SP	ELEC CAP, 400-480 MFD, 125V, 1.81D X 3.	1.000 EA
EC1460A03	ELEC CAP 115V 1.8 X 3.3 CK - WESTVILLE	1.000 EA
35CB3001A02SP	EXPL PROOF CONDUIT BOX, 3/4"PIPE TAP LEA	1.000 EA
11XW1032G06	10-32 X .38, TAPTITE II, HEX WSHR SLTD U	1.000 EA
HW3001B01	BRASS CUP WASHER, FOR #8 SCREW	1.000 EA
36EP3700A02	FR ENDPLATE, MACH	1.000 EA
51XW0832A07	8-32 X .44, TAPTITE II, HEX WSHR SLTD SE	2.000 EA
HW5100A05	WVY WSHR F/205 & 304 BRGS	1.000 EA
36EP1704A02	PU ENDPLATE, MACH	1.000 EA
51XN1032A20	10-32 X 1 1/4 HX WS SL SR	2.000 EA
HW4001A01	1/4 HX SOC PIPE PLG (F/S) ALLOY STEEL W/	2.000 EA
60XN1032A07	10-32 X 1/2 TRUSS HEAD, TORX SERRATED ZN	2.000 EA
XY3816A12	3/8-16 FINISHED NUT	4.000 EA
36FH4009A02	IEC FH NO GREASER, W/ AUTOPHERETIC PRIME	1.000 EA
51XW1032A06	10-32 X .38, TAPTITE II, HEX WSHR SLTD S	3.000 EA
35CB3500A01SP	CONDUIT BOX LID, MACH	1.000 EA
10XN2520A16	1/4-20 X 1 HEX HEAD CAP SCR, ZINC PLATED	4.000 EA
HW1001A25	LOCKWASHER 1/4, ZINC PLT .493 OD, .255 I	4.000 EA
HW2501D13SP	KEY, 3/16 SQ X 1.375	1.000 EA
HA7000A01	KEY RETAINER 7/8" DIA SHAFT	1.000 EA
85XU0407S04	4X1/4 U DRIVE PIN STAINLESS	6.000 EA
NP0018	NP- XP CONDUIT BOX	1.000 EA

Parts List (continued)		
Part Number	Description	Quantity
HA6003A52	CLAMP, CAPACITOR, WHITE ZINC PLATED	2.000 EA
13XT0832A07	8-32X7/16 TYP 23 PAN HD SLT DX	2.000 EA
MJ1000A75	GREASE, POLYREX EM EXXON	0.050 LB
36FN3000A01SP	EXFN, PLASTIC, 7.00 OD, .912 ID	1.000 EA
51XB1214A16	12-14X1.00 HXWSSLD SERTYB	1.000 EA
MG1025Z20	ACTIVATOR WILKOFAS 060.32	0.010 GA
MG1025G29	PAINT 789.205 DARK GRAY METALLIC (USE W/	0.022 GA
HA3105A09	THRUBOLT 3/8-16 X 12.000	4.000 EA
SP5061A08	MODEL 36 XP TYPE L/LC	1.000 EA
LB1119	WARNING LABEL	1.000 EA
LB1125C01	STD (STOCK) CARTON LABEL BALDOR WITH FLA	1.000 EA
LC0081	CONNECTION LABEL X	1.000 EA
NP0015XP	25/CSA, CLI GP-D,CC	1.000 EA
36PA1001	PACKAGING GROUP	1.000 EA
PK3082	STYROFOAM CRADLE	1.000 EA

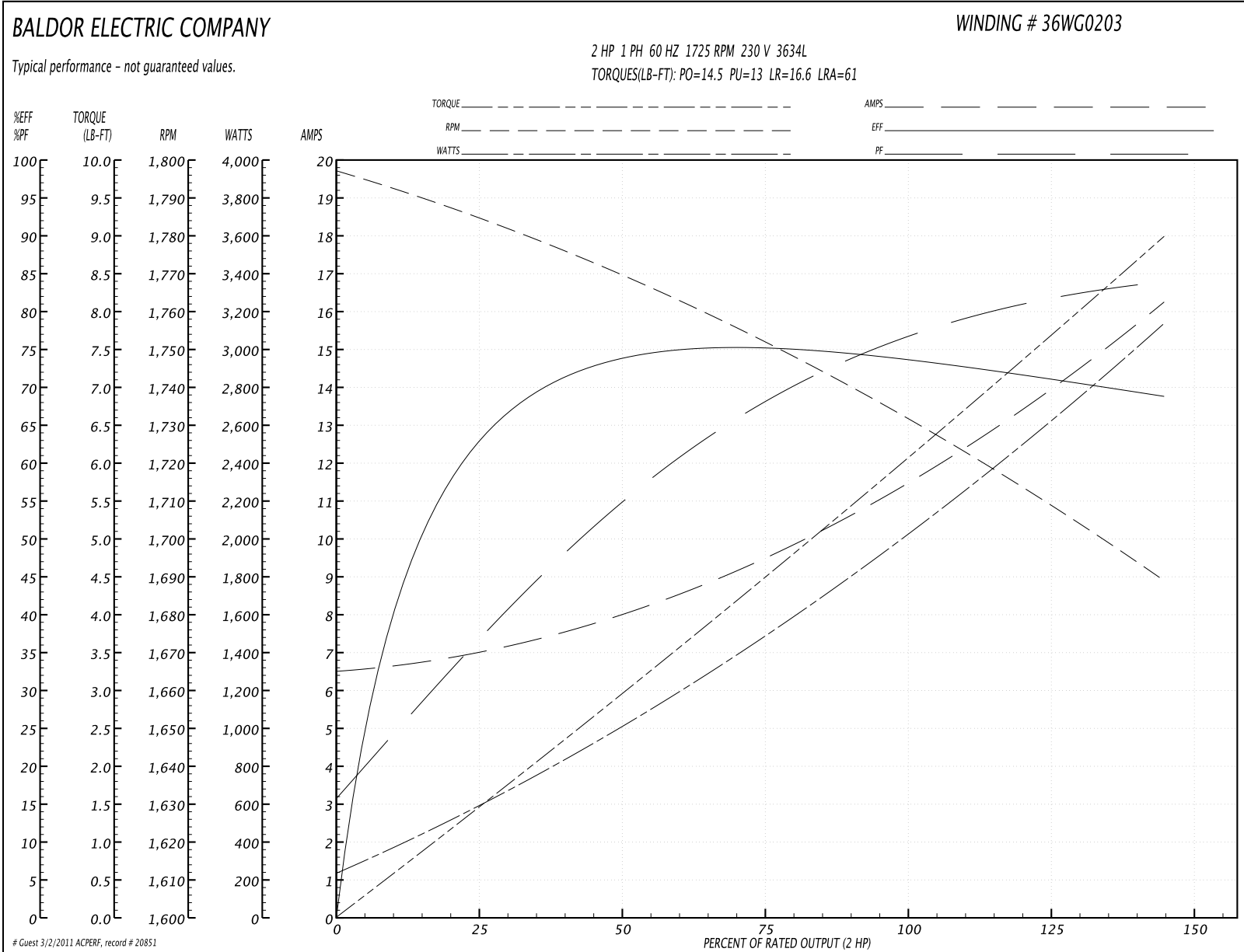
**Performance Data at 230V, 60Hz, 2.0HP (Typical performance - Not guaranteed values)**
**General Characteristics**

<b>Full Load Torque:</b>	6.0 LB-FT	<b>Start Configuration:</b>	DOL
<b>No-Load Current:</b>	6.5 Amps	<b>Break-Down Torque:</b>	14.5 LB-FT
<b>Line-line Res. @ 25°C.:</b>	0.244 Ohms A Ph / 0.632 Ohms B Ph	<b>Pull-Up Torque:</b>	13.0 LB-FT
<b>Temp. Rise @ Rated Load:</b>	78 C	<b>Locked-Rotor Torque:</b>	16.6 LB-FT
<b>Temp. Rise @ S.F. Load:</b>		<b>Starting Current:</b>	61.0 Amps

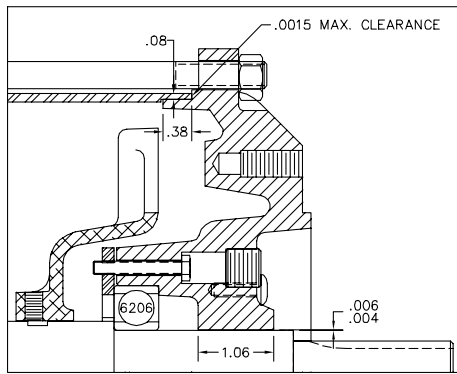
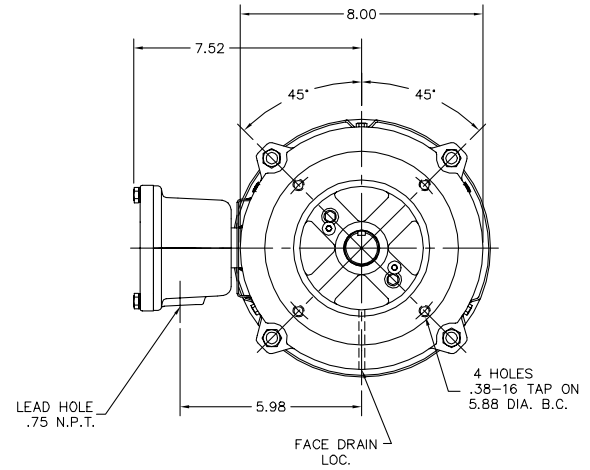
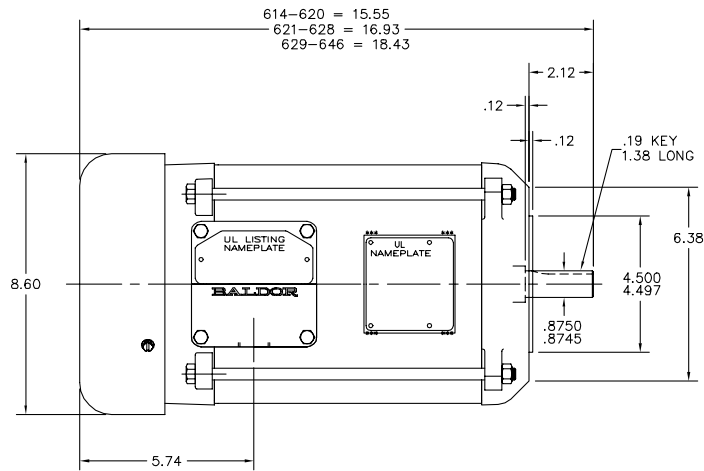
**Load Characteristics**

<b>% of Rated Load</b>	<b>25</b>	<b>50</b>	<b>75</b>	<b>100</b>	<b>125</b>	<b>150</b>	<b>S.F.</b>
<b>Power Factor:</b>	40.0	58.0	69.0	76.0	80.0	81.0	78.0
<b>Efficiency:</b>	63.1	72.3	74.3	75.0	72.0	68.3	73.2
<b>Speed:</b>	1783.0	1769.0	1753.0	1733.0	1711.0	1689.0	1720.0
<b>Line Amperes:</b>	7.0	8.05	9.7	11.0	13.9	16.2	12.74

Performance Graph at 230V, 60Hz, 2.0HP Typical performance - Not guaranteed values



36LYN013



PULLEY END DETAIL

CUSTOMER IS RESPONSIBLE FOR DETERMINING THAT MOTOR PERFORMANCE IS SUITABLE IN THE APPLICATION.

REV. DESC: CHANGED STACKING		
REV. LTR: J	VERSION: 01	TDR: 000000430847
FILE: \AAA\00020\133	REVISED: 15:19:32 05/07/2007	BY: ENBRAMO
MTL: -		

**BALDOR ELECTRIC Co.**

VERT 182-4C XPFC 36L CL-I GROUP-D

36LYN013

CD0001



	LINE A	LINE B	JOIN
HIGH STD	1	4,5	2,3,8
HIGH OPP	1	4,8	2,3,5
LOW STD	1,3,8	2,4,5	-
LOW OPP	1,3,5	2,4,8	-

NOTES:

1. STANDARD ROTATION IS CCW FACING END OPPOSITE SHAFT EXTENSION.
2. OPTIONAL THERMOSTAT IS PROVIDED WHEN SPECIFIED.
3. MULTIPLE CAPACITORS ARE CONNECTED IN PARALLEL UNLESS OTHERWISE SPECIFIED.
4. LEAD COLORS ARE OPTIONAL. LEADS MUST ALWAYS BE NUMBERED AS SHOWN.

REV. DESC: REVISE TO SHOW OPTIONAL COLORS			
REV. LTR: D	BY: JLP	REVISED: 04/08/99 1:16	TDR: 0178636
100000		FILE: AAA00007405	MDL: -
		MTL: -	

**BALDOR ELECTRIC Co.**

TYPE L, DV, REV, 6 LEADS

CD0001