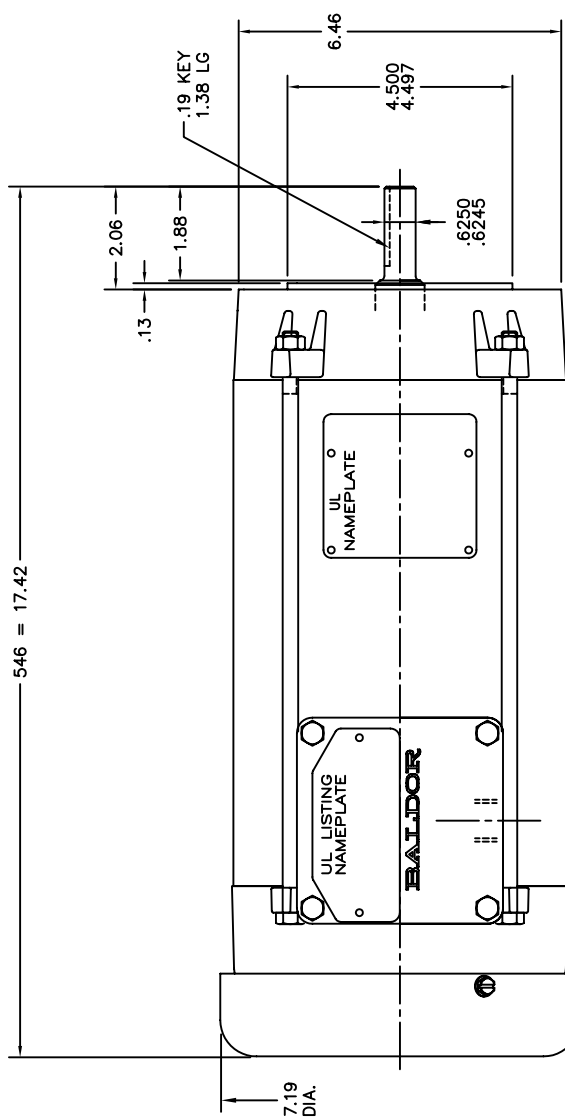


UL CLASS I - GROUP D



CUSTOMER IS RESPONSIBLE FOR DETERMINING THAT MOTOR PERFORMANCE IS SUITABLE IN THE APPLICATION.

REV. DESC: REVISE TO SHOW DETAILED INTERNAL VIEW

REV. LTR: J VERSION: 01

FILE: \AAA\00005\600 REVISED: 10:06:18 03/08/2006 BY: ENCHRCO

MTL: -

BALDOR ELECTRIC Co.

VERT 56C XPFC 3546L CL I-GP D