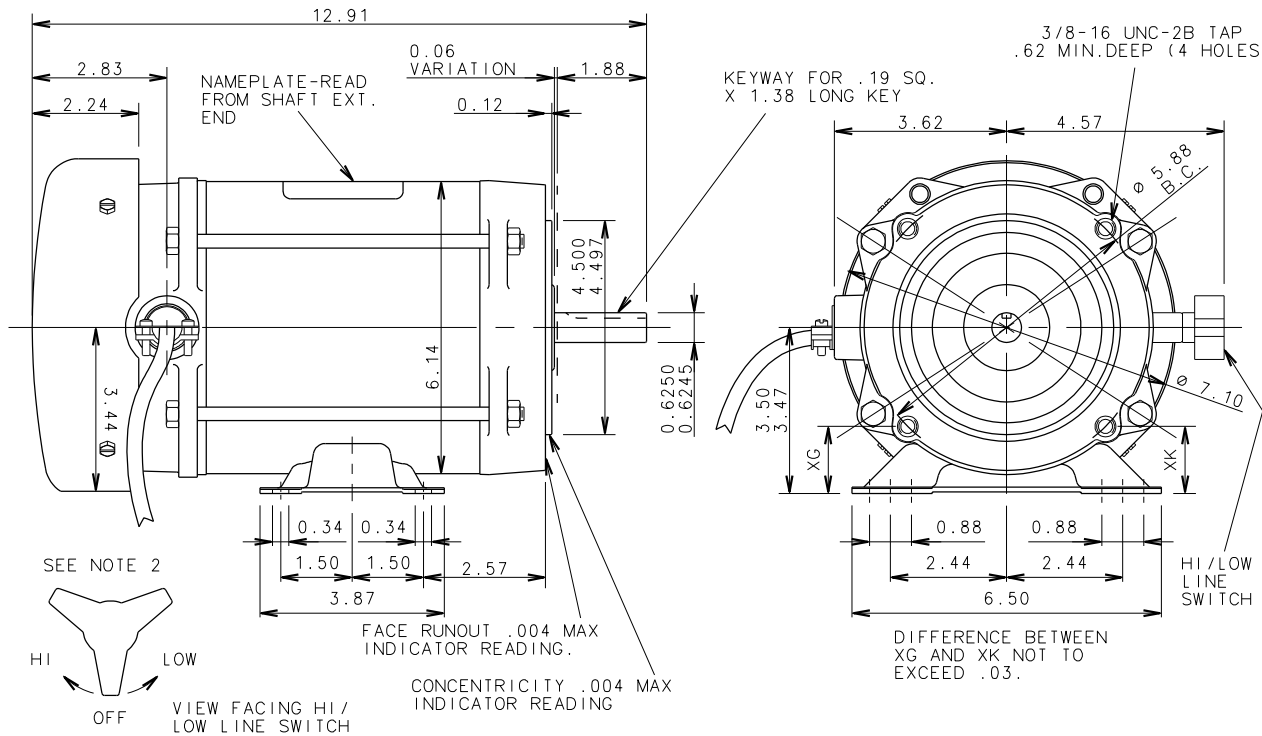


THE INFORMATION DISCLOSED HEREIN INCLUDES PROPRIETARY RIGHTS OF BLUFFTON MOTOR WORKS. NEITHER THIS DRAWING NOR THE INFORMATION DISCLOSED THEREIN SHALL BE REPRODUCED OR TRANSFERRED TO OTHER DOCUMENTS OR USED OR DISCLOSED TO OTHERS FOR MANUFACTURING PURPOSES OR FOR ANY OTHER PURPOSES, EXCEPT AS SPECIFICALLY AUTHORIZED IN WRITING BY BLUFFTON MOTOR WORKS.

1415000401

UNLESS OTHERWISE SPECIFIED DIMENSIONS WITHOUT TOLERANCES ARE REFERENCE ONLY



NOTES

1. MYLAR NAMEPLATE.
2. PICTURE REF. ONLY-KNOB SET SCREW TO BE TIGHT ON FLAT.
3. MOTOR LISTED FOR HAZARDOUS LOCATION - CLASS I GROUP D.

LEADS

7 FT. CORD WITH .38" STRIPPING

EXTERNAL CONNECTIONS

MOTOR DATA

TYPE	SPLIT PHASE		ENCLOSURE	TEFC X-PROOF		VIEWING LEAD END	MOTOR ROTATION CCW	
HP	1/2 - 1/3		BEARINGS	BALL		ASSEMBLY ROTATION	CCW	
PH	1	HZ	60	PAINT	BLMW BLUE		ASSEMBLY VOLTAGE FIXED	
RPM	1725-1140	SF	1.0	MOUNTING POSITION	HORIZONTAL		THERMALLY PROTECTED AUTOMATIC	
VOLTS	115		END CAP	N/R		WINDING AND TEST SPEC	334500	
F.L. AMPS	8.6-6.2		ENVIRONMENTAL CONDITION	NORMAL		CUSTOMER NAME	INDCO INC.	
S.F. AMPS	.		SHAFT MATERIAL	COLD ROLL STEEL		CUSTOMER PART NO.	.	
FRAME	56	TEMP CODE	T2A		DRAWN	JET 6-25-86		
TIME RATE	CONT	MAX. AMB.	40°C		APPROVED	.		
KVA CODE	R	INS. CLASS	B		RELEASED	7-16-86		

PAR NO ECN NO	REV NO	CHANGE	FILM	DATE INIT
.	6	ADDED NOTE 3	.	JAG 3-3-94

BLUFFTON MOTOR WORKS
Bluffton, Indiana 46714

MODEL NUMBER
1415000401

DIST: 3-21(2)-26-31-35