

BALDOR® • *RELIANCE*

Product Information Packet

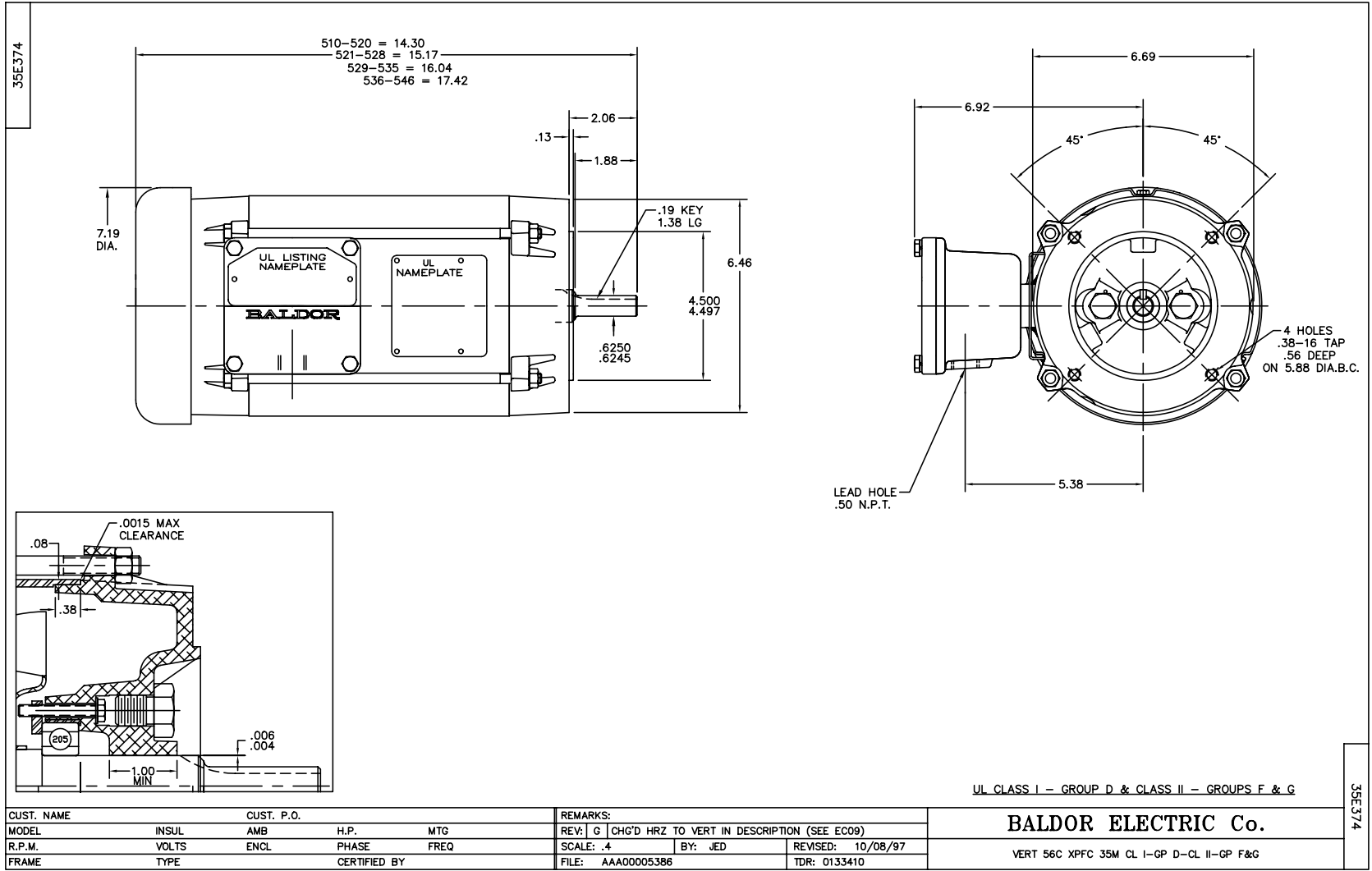
VM7037

2//1.5HP,1735//1435RPM,3PH,60//50HZ,56C

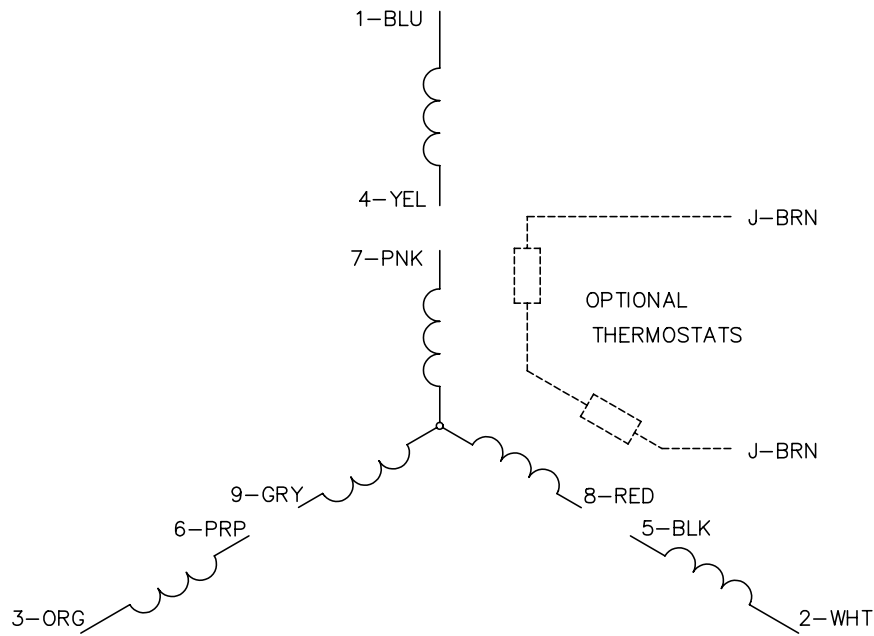
| Part Detail | | | | | | | |
|--------------------|------------------|-------------|-------|----------------|----------|---------------|------------|
| Revision: | - | Status: | PRD/A | Change #: | | Proprietary: | No |
| Type: | AC | Prod. Type: | 3523M | Elec. Spec: | 35WGP805 | CD Diagram: | |
| Enclosure: | XPFC | Mfg Plant: | | Mech. Spec: | 35E374 | Layout: | |
| Frame: | 56C | Mounting: | F1 | Poles: | 04 | Created Date: | 08-05-2010 |
| Base: | N | Rotation: | R | Insulation: | B | Eff. Date: | 08-13-2010 |
| Leads: | 9#18 | Literature: | | Elec. Diagram: | | Replaced By: | |
| Nameplate NP1426XP | | | | | | | |
| NO. | | | | CC | | | |
| SER. | | | | | | | |
| SPEC. | 35E374P805G1 | | | | | | |
| CAT.NO. | VM7037 | | | | | | |
| HP | 2//1.5 | | | T. CODE | | T3C | |
| VOLTS | 230/460//190/380 | | | | | | |
| AMPS | 6/3//5.6/2.8 | | | | | | |
| RPM | 1735//1435 | | | | | | |
| HZ | 60//50 | | | PH | 3 | CL | B |
| SER.F. | 1.00 | | | DES | B | CODE | L |
| RATING | 40C AMB-CONT | | | | | | |
| FRAME | 56C | | | NEMA-NOM-EFF | 82.5 | PF | 76 |
| USABLE AT 208V | 6.5 | | | | | | |

| Parts List | | |
|---------------|--|----------|
| Part Number | Description | Quantity |
| SA201172 | SA 35E374P805G1 | 1.000 EA |
| RA188476 | RA 35E374P805G1 | 1.000 EA |
| 35FN3002A05SP | EXFN, PLASTIC, 6.376 OD, .638 ID | 1.000 EA |
| 35CB3001A01SP | EXPL CONDUIT BOX, MACH, 1/2" PIPE TAP LE | 1.000 EA |
| 11XW1032G06 | 10-32 X .38, TAPTITE II, HEX WSHR SLTD U | 1.000 EA |
| HW3001B01 | BRASS CUP WASHER, FOR #8 SCREW | 1.000 EA |
| 35EP3700A01SP | FR ENDPLATE, XPFC | 1.000 EA |
| HW5100A03SP | WAVY WASHER (W1543-017) | 1.000 EA |
| 35EP3702A01SP | PU EP-205 BRG-35X-56C-143-5TC | 1.000 EA |
| 51XN1032A20 | 10-32 X 1 1/4 HX WS SL SR | 2.000 EA |
| XY3118A12 | 5/16-18 HEX NUT DIRECTIONAL SERRATION | 4.000 EA |
| HA3013A01 | 1/2-20X5/8 SPL.HX BOLT | 2.000 EA |
| HW3021C06 | 3/32 DI X .625 PIN (F/S) | 2.000 EA |
| 51XB1214A16 | 12-14X1.00 HXWSSLD SERTYB | 1.000 EA |
| 35FH4005A01SP | IEC FH NO GREASER W/AUTOPHORETIC PRIMER | 1.000 EA |
| 51XW1032A06 | 10-32 X .38, TAPTITE II, HEX WSHR SLTD S | 3.000 EA |
| 35CB3500A01SP | CONDUIT BOX LID, MACH | 1.000 EA |
| 10XN2520A16 | 1/4-20 X 1 HEX HEAD CAP SCR, ZINC PLATED | 4.000 EA |
| HW1001A25 | LOCKWASHER 1/4, ZINC PLT .493 OD, .255 I | 4.000 EA |
| HW2501D13SP | KEY, 3/16 SQ X 1.375 | 1.000 EA |
| HA7000A04 | KEY RETAINER 0.625 DIA SHAFTS | 1.000 EA |
| 85XU0407S04 | 4X1/4 U DRIVE PIN STAINLESS | 6.000 EA |
| NP0018 | NP- XP CONDUIT BOX | 1.000 EA |
| MJ1000A02 | GREASE, POLYREX EM EXXON | 0.050 LB |

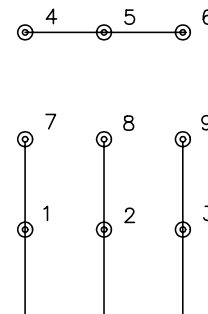
| Parts List (continued) | | |
|------------------------|--|----------|
| Part Number | Description | Quantity |
| MG1025Z20 | ACTIVATOR WILKOFAS 060.32 | 0.010 GA |
| MG1025G29 | PAINT 789.205 DARK GRAY METALLIC (USE W/ | 0.017 GA |
| HA3104A08 | THRUBOLT-5/16-18X9.375 X X | 4.000 EA |
| LB1119 | WARNING LABEL | 1.000 EA |
| LB1125C01 | STD (STOCK) CARTON LABEL BALDOR WITH FLA | 1.000 EA |
| LC0145B01 | CONNECTION LABEL | 1.000 EA |
| NP1426XP | UL/CSA, CLI GP-D,CLII GP-F&G,CC | 1.000 EA |
| 36PA1000 | PACK GROUP W/LB5001 | 1.000 EA |
| PK3082 | STYROFOAM CRADLE | 1.000 EA |



CD0005

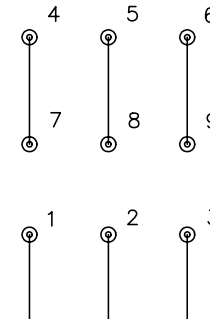


LOW VOLTAGE
(2Y)



LINE

HIGH VOLTAGE
(1Y)



LINE

NOTES:

1. INTERCHANGE ANY TWO LINE LEADS TO REVERSE ROTATION.
2. OPTIONAL THERMOSTATS ARE PROVIDED WHEN SPECIFIED.
3. ACTUAL NUMBER OF INTERNAL PARALLEL CIRCUITS MAY BE A MULTIPLE OF THOSE SHOWN ABOVE.
4. LEAD COLORS ARE OPTIONAL. LEADS MUST ALWAYS BE NUMBERED AS SHOWN.

| | | | |
|---|---------|-------------------------|--------------|
| REV. DESC: REVISE TO SHOW OPTIONAL COLORS | | | |
| REV. LTR: E | BY: JLP | REVISED: 01/19/99 10:15 | TDR: 0171435 |
| 90000 | | FILE: AAA00005140 | MDL: - |
| | | MTL: - | |

BALDOR ELECTRIC Co.

3PH, DV, 9 LEADS

CD0005