

BALDOR® • *RELIANCE*

Product Information Packet

CM7044T

3/5HP, 1460/1750RPM, 3PH, 50/60HZ, 184TC

Part Detail							
Revision:	Q	Status:	PRD/A	Change #:		Proprietary:	No
Type:	AC	Prod. Type:	3638M	Elec. Spec:	36WGX864	CD Diagram:	
Enclosure:	XPFC	Mfg Plant:		Mech. Spec:	36E338	Layout:	
Frame:	184TC	Mounting:	F1	Poles:	04	Created Date:	
Base:	RG	Rotation:	R	Insulation:	B	Eff. Date:	02-24-2010
Leads:	9#16	Literature:		Elec. Diagram:		Replaced By:	

Nameplate NP1426XP							
NO.		CC				010A	
SER.							
SPEC.	36E338X864H1						
CAT.NO.	CM7044T						
HP	5//3	T. CODE				T3C	
VOLTS	230/460//190/380						
AMPS	13.4/6.7//10.6/5.3						
RPM	1750//1460						
HZ	60//50	PH		3	CL		B
SER.F.	1.00	DES		B	CODE		K
RATING	40C AMB-CONT						
FRAME	184TC	NEMA-NOM-EFF		87.5	PF		80
USABLE AT 208V	14						

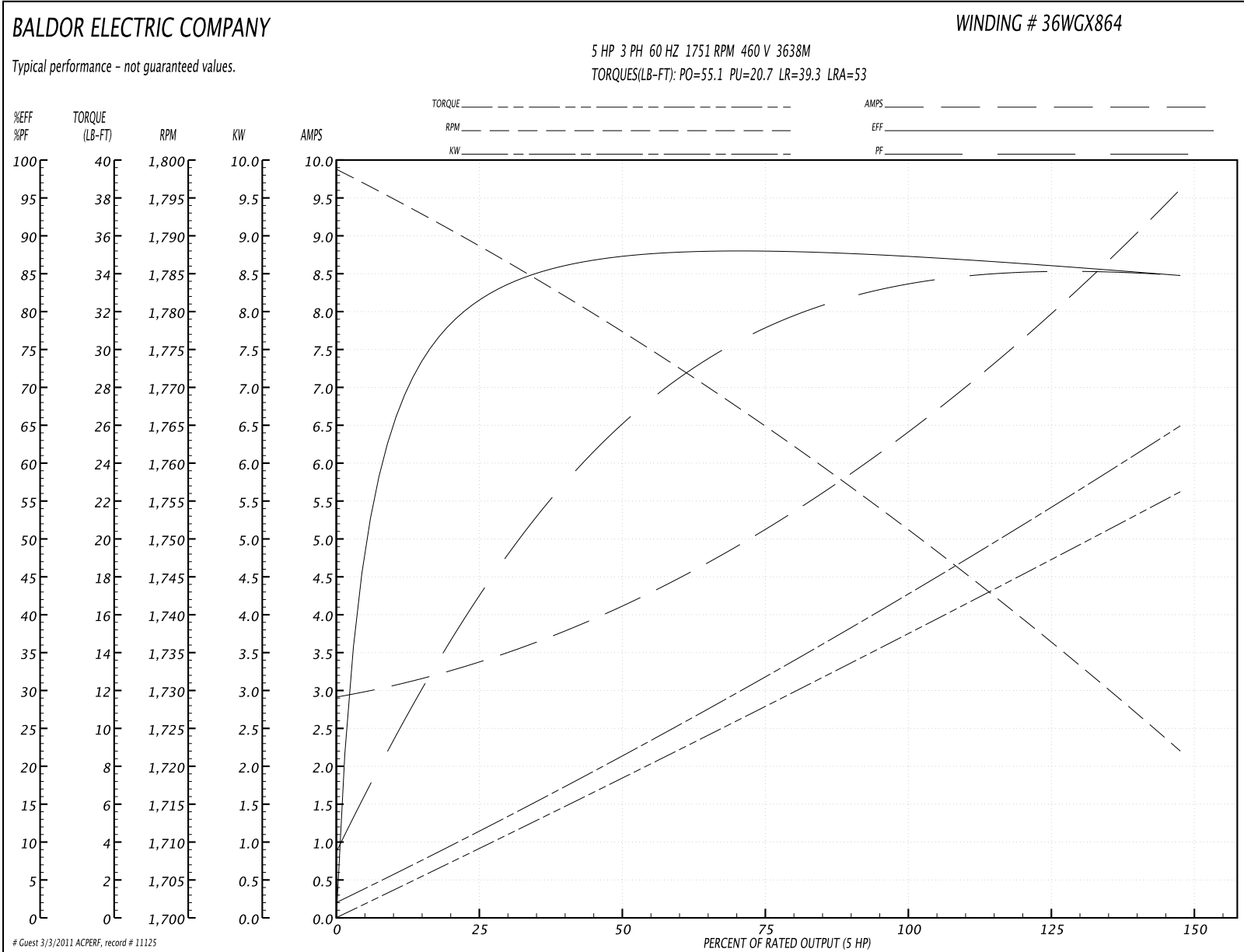
Parts List		
Part Number	Description	Quantity
SA045449	SA 36E338X864H1	1.000 EA
RA040825	RA 36E338X864H1	1.000 EA
35CB3001A02SP	EXPL PROOF CONDUIT BOX, 3/4"PIPE TAP LEA	1.000 EA
11XW1032G06	10-32 X .38, TAPTITE II, HEX WSHR SLTD U	1.000 EA
HW3001B01	BRASS CUP WASHER, FOR #8 SCREW	1.000 EA
36EP1702A01	FR ENDPLATE, MACH	1.000 EA
HW4500A19	1/4-28X1/4 SLOTTED PLUG F/S	2.000 EA
HW5100A05	WVY WSHR F/205 & 304 BRGS	1.000 EA
36EP1703A01	PU ENDPLATE, MACH	1.000 EA
51XN1032A20	10-32 X 1 1/4 HX WS SL SR	2.000 EA
HW4001A01	1/4 HX SOC PIPE PLG (F/S) ALLOY STEEL W/	2.000 EA
60XN1032A07	10-32 X 1/2 TRUSS HEAD, TORX SERRATED ZN	2.000 EA
51XB1214A16	12-14X1.00 HXWSSLD SERTYB	1.000 EA
36FH2000A01	FAN COVER, MACH	1.000 EA
12XN1032A08	10-32X1/2 HEX HD SLTD	4.000 EA
HW1001A10	WASHER, #10 SPLT LK, ZN X	4.000 EA
35CB3500A01SP	CONDUIT BOX LID, MACH	1.000 EA
10XN2520A16	1/4-20 X 1 HEX HEAD CAP SCR, ZINC PLATED	4.000 EA
HW1001A25	LOCKWASHER 1/4, ZINC PLT .493 OD, .255 I	4.000 EA
HW2501E16	KEY, 1/4 SQ X 1.750	1.000 EA
HA7000A02	KEY RETAINER RING, 1 1/8 DIA, 1 3/8 DIA	1.000 EA
85XU0407S04	4X1/4 U DRIVE PIN STAINLESS	6.000 EA
NP0018	NP- XP CONDUIT BOX	1.000 EA
MJ1000A75	GREASE, POLYREX EM EXXON	0.050 LB

Parts List (continued)		
Part Number	Description	Quantity
36FN3000A01SP	EXFN, PLASTIC, 7.00 OD, .912 ID	1.000 EA
MG1025Z20	ACTIVATOR WILKOFAST 060.32	0.010 GA
MG1025G29	PAINT 789.205 DARK GRAY METALLIC (USE W/	0.022 GA
HA3105A12	THRUBOLT 3/8-16 X 11.250	4.000 EA
LB1119	WARNING LABEL	1.000 EA
LB1125C04	STD-E (STOCK CTN LABEL STD-E WITH FLAG)	1.000 EA
LC0145B01	CONNECTION LABEL	1.000 EA
NP1426XP	UL/CSA, CLI GP-D,CLII GP-F&G,CC	1.000 EA
36PA1001	PACKAGING GROUP	1.000 EA

Performance Data at 460V, 60Hz, 5.0HP (Typical performance - Not guaranteed values)

General Characteristics							
Full Load Torque:	15.0 LB-FT			Start Configuration:	DOL		
No-Load Current:	2.98 Amps			Break-Down Torque:	55.1 LB-FT		
Line-line Res. @ 25°C.:	2.49 Ohms A Ph / 0.0 Ohms B Ph			Pull-Up Torque:	20.7 LB-FT		
Temp. Rise @ Rated Load:	64 C			Locked-Rotor Torque:	39.3 LB-FT		
Temp. Rise @ S.F. Load:				Starting Current:	53.0 Amps		
Load Characteristics							
% of Rated Load	25	50	75	100	125	150	S.F.
Power Factor:	43.0	66.0	77.0	82.0	85.0	86.0	0.0
Efficiency:	80.8	87.0	88.0	87.5	86.3	84.6	0.0
Speed:	1788.0	1777.0	1765.0	1751.0	1737.0	1722.0	0.0
Line Amperes:	3.31	4.08	5.17	6.5	7.92	9.57	0.0

Performance Graph at 460V, 60Hz, 5.0HP Typical performance - Not guaranteed values



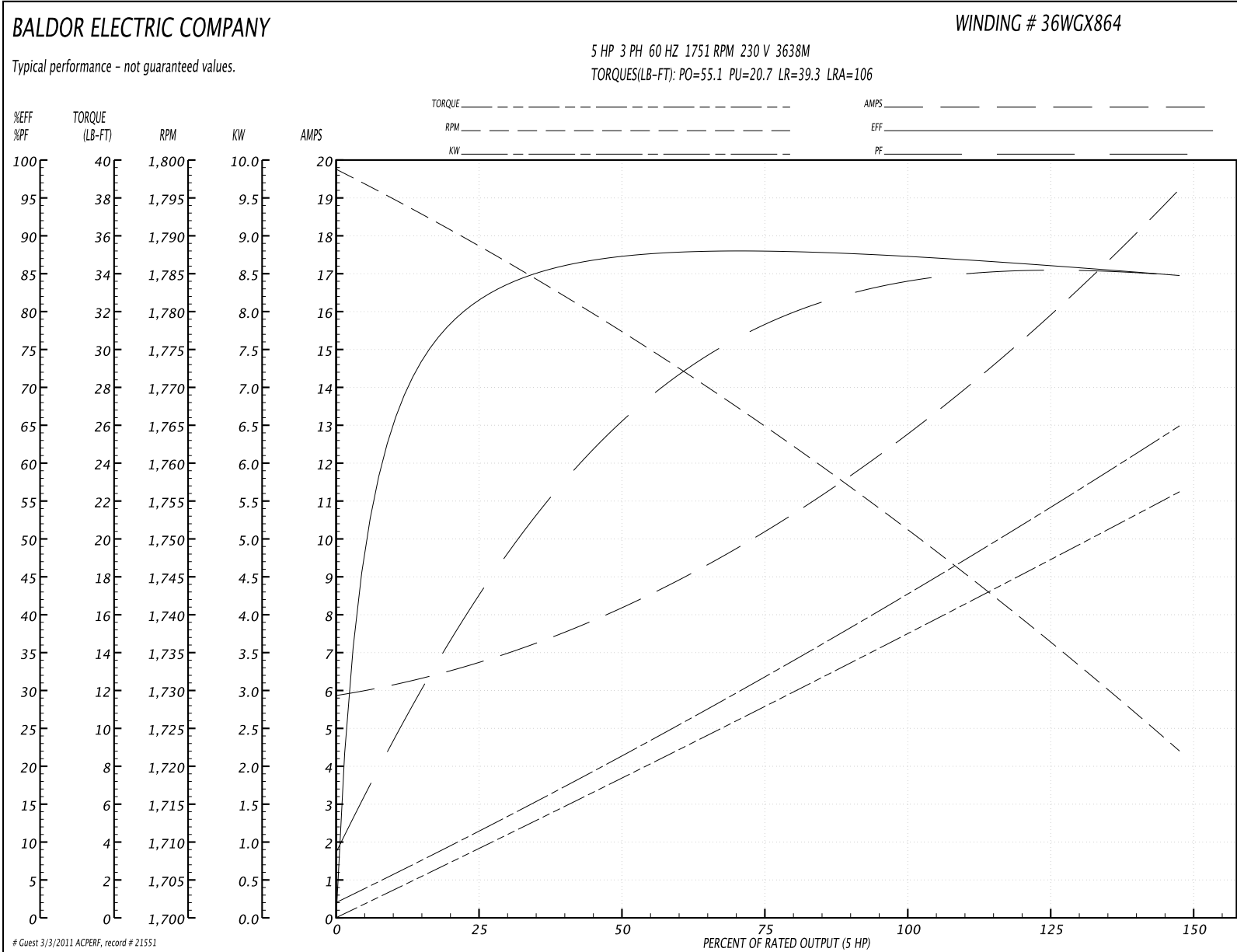
Performance Data at 230V, 60Hz, 5.0HP (Typical performance - Not guaranteed values)
General Characteristics

Full Load Torque:	15.0 LB-FT	Start Configuration:	DOL
No-Load Current:	6.0 Amps	Break-Down Torque:	55.1 LB-FT
Line-line Res. @ 25°C.:	0.6225 Ohms A Ph / 0.0 Ohms B Ph	Pull-Up Torque:	20.7 LB-FT
Temp. Rise @ Rated Load:	64 C	Locked-Rotor Torque:	39.3 LB-FT
Temp. Rise @ S.F. Load:		Starting Current:	106.0 Amps

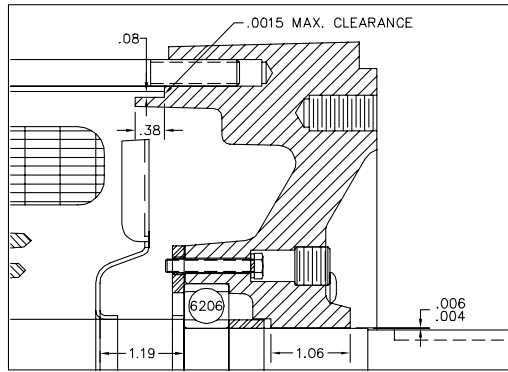
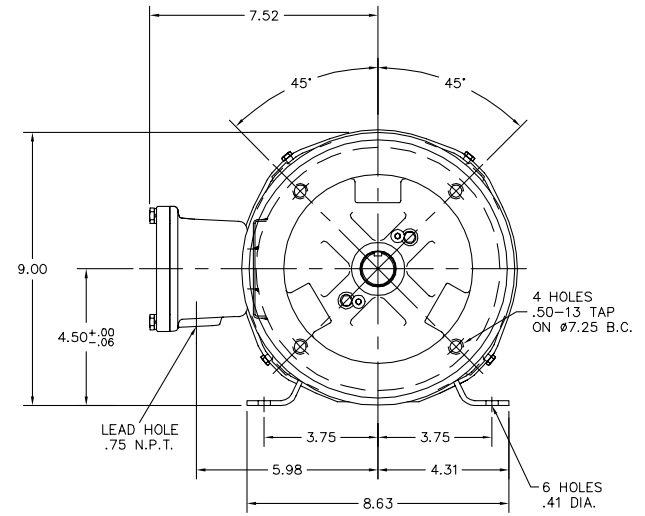
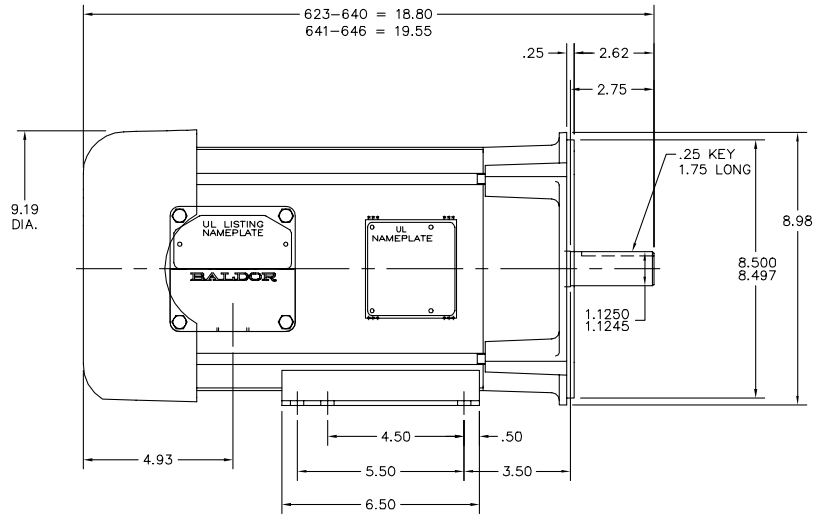
Load Characteristics

% of Rated Load	25	50	75	100	125	150	S.F.
Power Factor:	43.0	66.0	77.0	82.0	85.0	86.0	0.0
Efficiency:	80.8	87.0	88.0	87.5	86.3	84.6	0.0
Speed:	1788.0	1777.0	1765.0	1751.0	1737.0	1722.0	0.0
Line Amperes:	6.6	8.16	10.2	13.0	15.8	19.14	0.0

Performance Graph at 230V, 60Hz, 5.0HP Typical performance - Not guaranteed values



36LYE338



PULLEY END DETAIL

CUSTOMER IS RESPONSIBLE FOR DETERMINING THAT MOTOR PERFORMANCE IS SUITABLE IN THE APPLICATION.

REV. DESC: ADD ADDITIONAL STACKS LENGTHS TO LAYOUT		
REV. LTR: H	VERSION: 01	TDR: 000000446231
FILE: \AAA\00012\940	REVISED: 08:08:07 10/31/2007	BY: ENALEMO
MTL: -		

BALDOR • DODGE • RELIANCE

HOR 182-4TC XPFC 36M CLI GP D, CLII GP F&G, SPL STACKS

36LYE338

CD0005



LOW VOLTAGE
(2Y)



LINE

HIGH VOLTAGE
(1Y)



LINE

NOTES:

1. INTERCHANGE ANY TWO LINE LEADS TO REVERSE ROTATION.
2. OPTIONAL THERMOSTATS ARE PROVIDED WHEN SPECIFIED.
3. ACTUAL NUMBER OF INTERNAL PARALLEL CIRCUITS MAY BE A MULTIPLE OF THOSE SHOWN ABOVE.
4. LEAD COLORS ARE OPTIONAL. LEADS MUST ALWAYS BE NUMBERED AS SHOWN.

REV. DESC: REVISE TO SHOW OPTIONAL COLORS			
REV. LTR: E	BY: JLP	REVISED: 01/19/99 10:15	TDR: 0171435
90000		FILE: AAA00005140	MDL: -
		MTL: -	

BALDOR ELECTRIC Co.

3PH, DV, 9 LEADS

CD0005