



MODEL

4AM-FRV-24

(4 Vanes, Dual Shaft)

4AM-FRV-13C

(4 Vanes, Reversible)

4AM-FRV-63A

(8 Vanes, Reversible)

Net wt. 9 lbs. (4,1 kg)

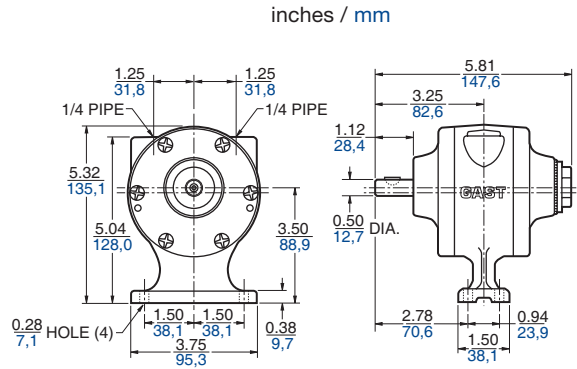
FEATURES

- Foot mounting
- Any plane operation
- Single or dual shaft
- Metal muffler AC980 adds 2" height when installed.

- II 2 GD c T4

RECOMMENDED

- Filter AH103F
- Regulator AH104R
- Gauge AA806
- Lubricator AH105L
- Oil AD220 – 1 quart (.94 litres)
- Repair kit K205 (4 Vane, Reversible)
- Repair kit K279 (8 Vane, Reversible)



4AM-NRV-22B

(4 Vanes, Reversible)

4AM-NRV-54A

(8 Vanes, Reversible)

Net wt. 9 lbs. (4,1 kg)

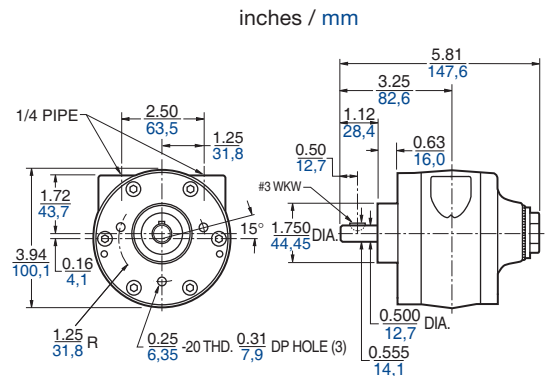
FEATURES

- Face mounting
- Any plane operation
- Metal muffler AC980 adds 2" height when installed.

- II 2 GD c T4

RECOMMENDED

- Filter AH103F
- Regulator AH104R
- Gauge AA806
- Lubricator AH105L
- Oil AD220 – 1 quart (.94 litres)
- Repair kit K205 (4 Vane, Reversible)
- Repair kit K279 (8 Vane, Reversible)



4AM-NRV-50C

(4 Vanes, Reversible)

4AM-NRV-70C

(8 Vanes, Reversible)

Net wt. 12 lbs. (5,4 kg)

FEATURES

- NEMA 56C mounting
- Any plane operation
- Metal muffler AC980 adds 2" height when installed

- II, 2 GD c T4

RECOMMENDED

- Filter AH103F
- Regulator AH104R
- Gauge AA806

