



## MODEL

**6AM-FRV-5A** (4 Vanes, Reversible)

**6AM-FRV-23A** (8 Vanes, Reversible)

Net wt. 21 lbs. (9,5 kg)

### FEATURES

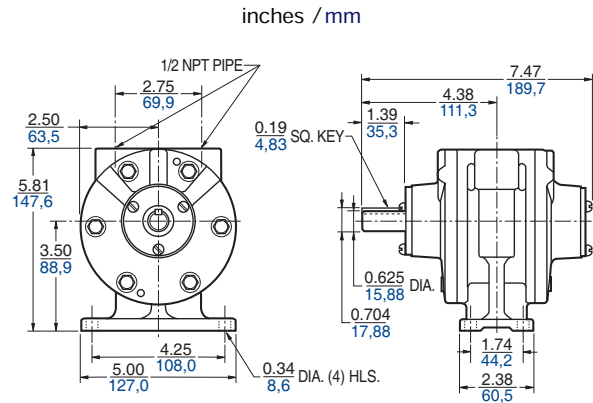
- Foot mounting
- Any plane operation
- Muffler AC 990

### RECOMMENDED

- Filter AH106F
- Regulator AH107R
- Gauge AA806
- Lubricator AH108L
- Oil AD220 – 1 quart (.94 litres)
- Repair kit K 208 (4 Vane)
- Repair kit K 281 (8 Vane)

### OPTIONAL

- Muffler AL 476 (for additional noise reduction)



**6AM-NRV-7A** (4 Vanes, Reversible)

Net wt. 18 lbs. (8,1 kg)

### FEATURES

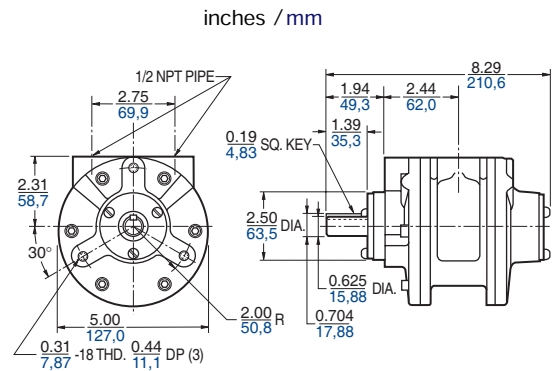
- Face mounting
- Any plane operation
- Muffler AC 990

### RECOMMENDED

- Filter AH106F
- Regulator AH107R
- Gauge AA806
- Lubricator AH108L
- Oil AD220 – 1 quart (.94 litres)
- Repair kit K 208

### OPTIONAL

- Muffler AL 476 (for additional noise reduction)



**6AM-NRV-11A** (4 Vanes, Reversible)

**6AM-NRV-22A** (8 Vanes, Reversible)

Net wt. 24 lbs. (10,8 kg)

### FEATURES

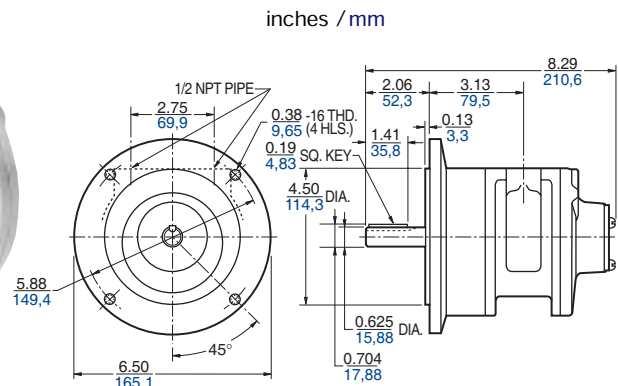
- NEMA 56C mounting
- Any plane operation
- Muffler AC 990

### RECOMMENDED

- Filter AH106F
- Regulator AH107R
- Gauge AA806
- Lubricator AH108L
- Oil AD220 – 1 quart (.94 litres)
- Repair kit K 208 (4 Vane)
- Repair kit K 281 (8 Vane)

### OPTIONAL

- Muffler AL 476 (for additional noise reduction)





## MODEL

### 6AM-ARV-54

(4 Vanes, Reversible)  
Repair kit K281A

### 6AM-ARV-55

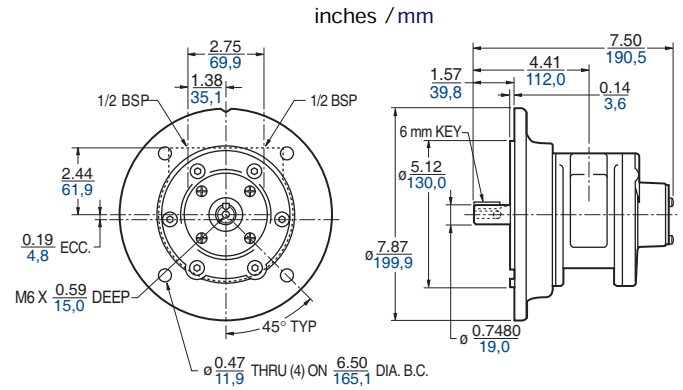
(8 Vanes, Reversible)  
Repair kit K281B

## FEATURES

- IEC #72 mounting frame size D80
- Any plane operation
- Muffler AC990 (photo)

## OPTIONAL

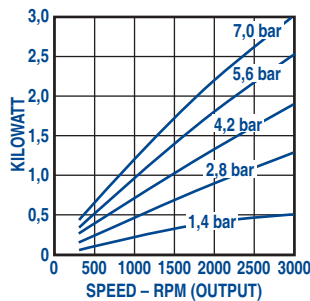
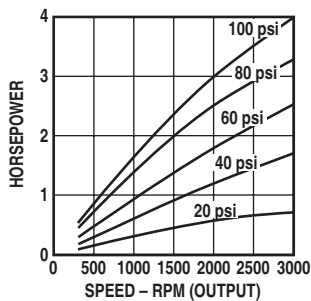
- Muffler AL476 (for additional noise reduction)



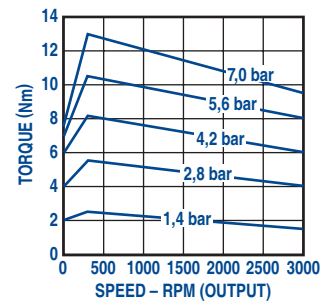
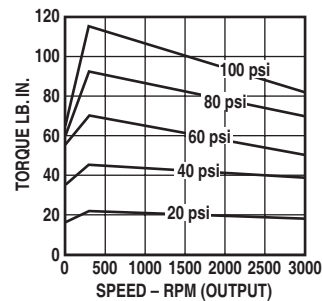
Delivers up to 3 kW (4 hp). Speeds may be varied from 300 to 3,000 rpm. Max. recommended operating pressure 7 bar (100 psi).

**Note: Performance data represents a 4-vane model with no exhaust restriction.**

### Output Power vs. Speed



### Torque vs. Speed



### Air Consumption vs. Speed

