

# Caframo® LabSolutions

## 1540 Crossover

The Caframo 1540 combines user researched control features and incredible amounts of power creating a mixer unique to lab and industrial uses.

Resume on power up allows precise control by a PC or PLC. Plug in a USB drive for immediate data logging of date, speed, time and torque. Alarms, timers, PC programmability as well as "mount and plug in" installation provide a transportable mixer from bench top to barrel.

### Key Specifications:

- Speed Range rpm • 50-1500, (0.83 - 25 hertz)
- Max Torque • 3000 Ncm
- Max Viscosity • 180,000 cps
- Output Power • 1/2 hp, 300 watts
- Max Volume • 200 litres

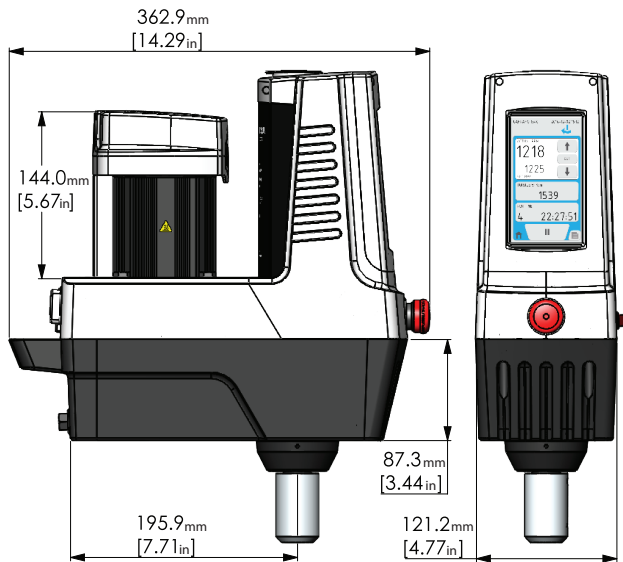
### PC Control

### Portable Power

### Crossover to Industrial



# 1540 Crossover



## Features and Benefits:

### Brushless DC Motor - fan cooled

- 95% power transferred to shaft
- Highest torque overhead mixer on market
- Overload and overheat protection

### Display - resistive touch screen

- Operate with a gloved hand
- Large (60 x 1100 mm) visibility of settings
- Speed control on home screen

### Mounting - bolt pattern

- C-clamp accessory angles mixing shaft into vessel
- Flat plate accessory for surface mounting
- Bolt pattern allows mounting into custom systems

## Applications:

- Media Prep
- Pharma batches of creams
- Wastewater flocculation
- Industrial pilot plants
- Biological, diagnostic products

## Additional Specifications:

Input Power	120 volts, 60 Hz
Motor	Brushless DC
Weight	12kg
Display	Graphic User Interface, Resistive Touch Screen
Mounting	Square bolt pattern, 87.6mm
Impeller Adjustment	Through shaft
Impeller Attachment	Keyed Chuck, 420 SS. Accepts shafts up to 15.9 mm
Communications and Data Logging	USB, DB9, and Isolated analog 4-20mA
Includes	Mixer, chuck, chuck key, chuck shaft guard, mounting hardware and power cord
Approvals	Conforms to applicable UL and CSA standards
Warranty	Three Years

Exactly what you've been waiting for!



**Caframo**<sup>®</sup>  
LabSolutions

1-800-567-3556 ext 248  
**CaframoLabSolutions.com**  
501273 Grey Road 1, Georgian Bluffs ON N0H 2T0 Canada