

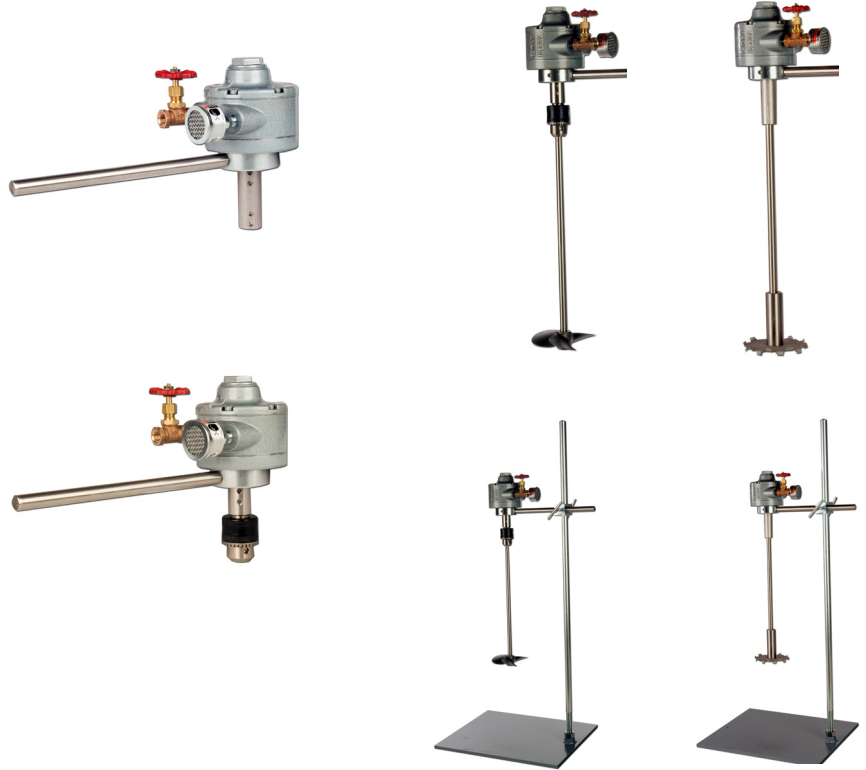


AS Series Stirrers

OWNERS MANUAL

Warranty

Our products are guaranteed against defective materials and workmanship, we will repair or replace such items as may prove defective at our option. Warranty period is one year on items manufactured by INDCO, except for the MixMaster Series Shakers which carries a two year warranty. On items not manufactured by INDCO, the manufactures warranty applies. All component parts of our products are covered by this warranty, except for normal wear items such as belts or impellers. We cannot be responsible for damage or abuse to equipment caused by improper installation or operation. Warranties can also be voided by unauthorized disassembly of equipment. For warranty repairs, equipment is returned to INDCO at the customer's expense; we will repair and return to customer at our expense. Under no circumstances will we allow labor charges or other expense to repair defective merchandise. This warranty is exclusive and is in lieu of all other warranties, whether expressed or implied. INDCO shall not be liable for any other damages, whether consequential, indirect, or incidental, arising from the sale or use of its products.



AS SERIES AIR MOTOR DRIVE HEADS

Contents	Page
Safety	2
General	2
Operation	3
Maintenance	4
Troubleshooting	5
Parts List	8



INDCO, Inc.
4040 Earnings Way
New Albany, IN 47150
phone: 812-941-5954
fax: 812-944-9742
web: www.indco.com

Safety

Please read this complete manual before trying to operate your mixer. Failure to follow these instructions could result in serious injury.

CAUTION:

- **Never run mixer without an impeller.**
- **Never run the impeller in open air.**
- **Never run impeller outside a container.**
- **Always use the container holder to restrain the container during operation.**

Receiving:

Before removing any packing, visually inspect the exterior of the shipment for any sign of damage. Should there be any damage, bring it to the attention of the delivering UPS or truck line and note the same on the receiving ticket. Should there be damage you must place a claim with the truck line. They are the only ones who will pay for the damage done and you are the only one who can place that claim.

Air Motor Data

General:

Inlet air pressure is not to exceed 100 PSIG maximum. It is recommended to use an air filter and moisture trap on inlet air supply, to avoid contamination being fed into air motor. The air motor is designed to be driven by compressed air only. Fluids, particles, solids or any substance mixed with air, particularly combustible substances likely to cause explosions, must not drive air motor.

- **NEVER** use Teflon tape on port connection fittings. Use of Teflon tape will void the warranty.
- Do not drive with flammable or explosive gases or operate unit with atmosphere containing them.
- Air motor is designed for air only. Do not allow corrosive gases or particulate material to enter motor. Water vapor, oil-based contaminants, or other liquids must be filtered out.
- Do not use a hammer or force shaft coupling or drive pulley onto shaft when installing drive onto air motor. This causes end thrust that could damage air motor.
- Ambient temperature should not exceed 250°F.

Installation:

For efficiency of output and control of speed, use a supply line size equal-to or one size greater-than the motor port size.

(example: 1/4" motor port = use 1/4" or 3/8" air hose).

All air models are supplied with a muffler. The muffler is shipped with mixer air motor, but not installed.

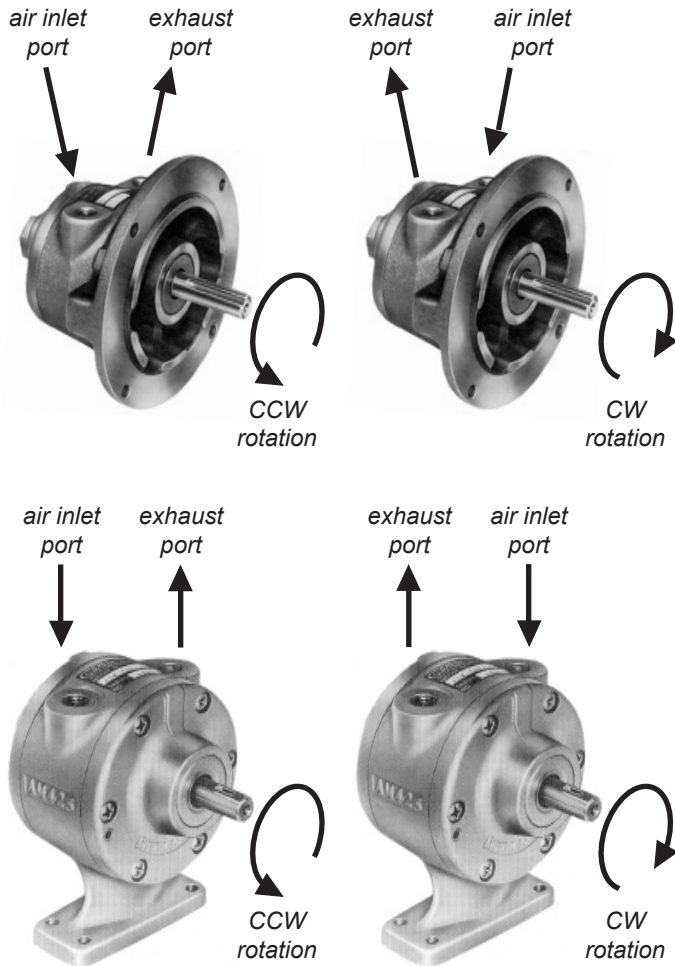
Remove the plastic plugs from inlet & exhaust ports, then install the muffler and inlet air supply line in accordance with the rotational information shown on next page. All ports are female pipe threaded.

Air Motor Data

Rotation:

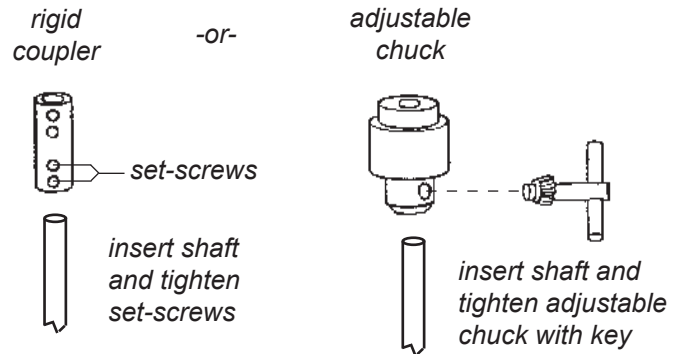
A single rotation motor will operate properly in only one direction. A reversible motor will work equally in both directions. Air motor direction of rotation is shown below. Air drive motor mixers are designed operate in a Clockwise rotation, viewed from top of mixer looking downward into mixing container.

NOTE: Not all air motors are bi-rotational. The ones that are reversible can be reversed by simply switching the exhaust muffler and air supply line.



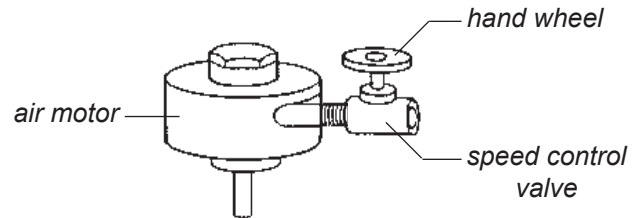
Operation:

The AS Series power-heads have either a rigid coupler or an adjustable chuck to accept your impeller shaft. Install as shown below. Refer to your model number to determine allowable shaft size.



Starting:

These power-heads provide start/stop and variable speed via the speed control valve mounted to the air motor. Rotate hand wheel to increase or decrease air flow ~ motor



Starting torque is less than running torque and could vary depending on position at which vanes stop in relation to air intake port. Using a pressure regulator or a simple shut-off valve to obtain desired power and conserve air can regulate speed and torque.

Shutdown Procedure: (storage)

1. Turn off air supply and remove plumbing.
2. Remove air motor from connecting machinery.
3. Use clean, dry air at low pressure to "flush out" condensation.
4. Re-lubricate air motor with a squirt of oil in chamber. Rotate shaft by hand several times.
5. Plug or cap each port. Unit is ready for storage.

Air Motor Data (continued)

Lubrication:

Lubrication is necessary for all-internal moving parts and rust prevention. Excessive moisture in air line can cause rust formation in motor and might also cause ice to form in muffler due to expansion of air through motor. Moisture problems can be corrected by installing a moisture separator in line and also by installing an after cooler between compressor and air receiver.

Use a detergent SAE #10 automotive engine oil. It is recommended that an automatic air line lubricator be installed in airline just ahead of air motor. Lubricator should be adjusted to feed one drop of oil for every 50-75 CFM of air going through motor.

Manual Lubrication – Add 10-20 drops of oil every 8 hours of operation to motor through inlet port while motor is shut down.

Automatic Lubrication – In-line oiler should be adjusted to feed 1 drop per minute for high speed or continuous duty use. Do not overfeed oil as contamination of exhaust air may result.

Performance:

Air motor supply requirements:

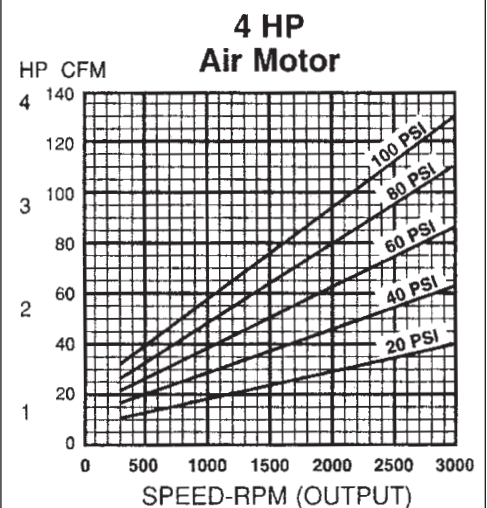
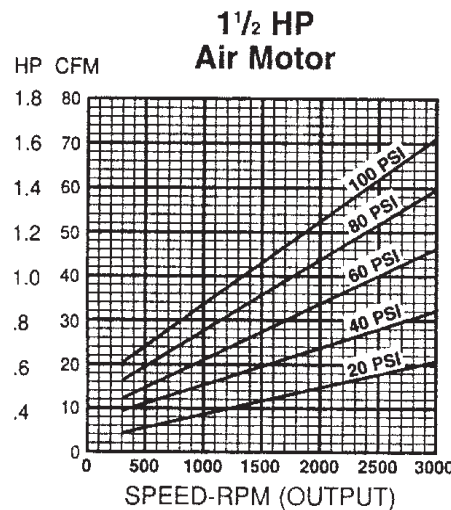
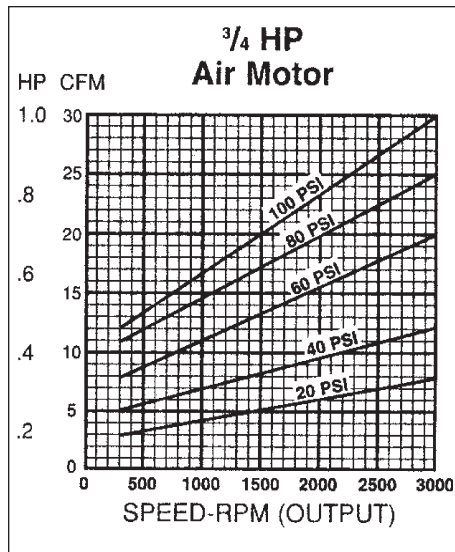
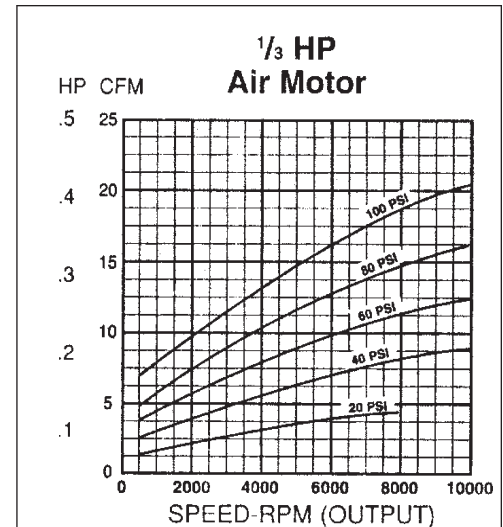
Motor	Air Volume	Air Pressure
1/3 HP	20 CFM	100 PSI
3/4 HP	30 CFM	100 PSI
1 1/2 HP	70 CFM	100 PSI
4 HP	130 CFM	100 PSI

These charts provide the air volume requirement with air pressure and speed data.

Maintenance:

If motor is sluggish or inefficient, try flushing with solvent. The following are recommended solvents for air motors:

- Gast Flushing solvent #AH255 or AH255A
 - Loctite Safety Solvent
 - Inhibisol Safety Solvent
1. To flush a unit, disconnect airline and muffler.
 2. Add several teaspoons or spray solvent directly into motor.
 3. Rotate shaft by hand in both directions for a few minutes.
 4. Reconnect airline and slowly apply pressure until there is no trace of solvent in exhaust air.
 5. Flush unit in a well-ventilated area.



Air Motor - Troubleshooting

Problem or Complaint	Possible Cause	Remedy
<p>Air motor is NEW (or basically new) and does not perform up to speed, or seems to have no power.</p>	<ol style="list-style-type: none"> 1. Air line coming to motor could be blocked or too small, and therefore not enough CFM of air would get to the motor to operate properly. 2. Air compressor might be too small or underpowered to provide enough CFM or PSI of air to run motor properly. 3. Air line bringing air to motor may be too long. A reduction of efficiency or loss of RPM's will result from line being too long. 4. May have too large a propeller or blade on the motor, which would overload the motor. Easily possible if installing own impellers on unit. 	<ol style="list-style-type: none"> 1. Clean out blockage, or replace line with larger size (TIP: Air line should be same size or larger than the port size on the motor – e.g. ¼" NPT port on motor, use ¼" or bigger air line). 2. <u>This is common</u>, people overestimate the capability of their compressors. Check the nameplate on the compressor and verify that it will produce enough CFM and PSI to run not ONLY the air motor, but every other air tool they have on the line as well. If needed, talk to the plant maintenance people or the compressor manufacturer for information. 3. Reduce length of line coming to motor. Optimum length is as short as possible. 4. Properly size a blade or propeller for the customer's application, or refer them to a Sales Engineer for assistance.
<p>Air motor is NEW and when hooked up to air supply it just "hisses" and does not turn.</p>	<ol style="list-style-type: none"> 1. Probably a piece of packing material or other contaminant has gotten into the motor and lodged between a vane and the motor chamber wall while in shipment. The air is passing straight thru and exiting the motor without turning the rotor (the "hissing" sound). 2. If motor is a NON-REVERSIBLE one, it could have the muffler and inlet in the wrong ports. If this is the case, the motor would turn manually but the air would be going past the vanes without turning the rotor (causing "hissing"). 	<ol style="list-style-type: none"> 1. Remove muffler and Speed Control Valve. Blow out motor with clean air to remove contaminants. If necessary, flush motor out with solvent to remove particulates, then put a few drops of oil in port and spin motor a few times to re-lubricate. Replace muffler and valve. 2. Switch the muffler and air inlet to the respective opposite ports.
<p>Air motor is NEW and does not turn at all, or turns only</p>	<ol style="list-style-type: none"> 1. Probably a piece of packing material or other contaminant has gotten into motor port and lodged against a vane while in shipment. 2. If motor runs without incident for a few minutes or hours, and THEN this occurred, Teflon Tape was probably used on the air connections somewhere. Teflon tape is fibrous, and will come apart and get into the air line. When this happens the fibers can get lodged inside the air motor and lock up the rotor. 3. Motors are sometimes shipped with disposable plugs in the motor ports to keep contaminants out until the motor is ready to install. Installer may have forgotten to remove the plugs. 4. Motor could have been dropped or struck. A hard blow will sometimes cause air motor rotor assembly to lock up. 	<ol style="list-style-type: none"> 1. Remove muffler and Speed Control Valve. Blow out motor with clean air to remove contaminants. If necessary, flush motor out with solvent to remove particulates, then put a few drops of oil in port and spin motor a few times to re-lubricate. Replace muffler and valve. 2. NEVER USE TEFLON TAPE ON AIR LINE CONNECTIONS IF THERE IS AN AIR MOTOR INVOLVED! The warranty is voided. May be able to blow/wash out the air motor and remove the tape particles. If not, rebuild or replace motor. 3. Remove plugs and discard. Install muffler in appropriate port and Speed Control Valve (or direct air line) in the other, consistent with direction of motor rotation. 4. Can NOT be repaired by user. You may attempt to tap downward on the motor shaft or on the housing to loosen it up, but unless that frees up motor it will have to be replaced.

Air Motor - Troubleshooting (continued)

Problem or Complaint	Possible Cause	Remedy
Air motor exhaust is filled with ice; ice crystals are forming on the muffler; water is dripping from the muffler.	1. There is nothing wrong with the air motor , the compressor needs to be maintained. There is too much water present in the compressor tank. Air motors exhaust whatever goes into them – if water goes in the motor it has to come out . The expansion of the air as it leaves the motor cools it, causing the water in the air to freeze.	1. Clean the Filter portion of the F/R/L. Drain the water from the compressor tank. Install a dryer to remove excess water from the air.
Air motor has rust on the inside of the ports, visible when the muffler or air inlet valve are removed.	1. There is too much water in the air supply, causing the inside of the motor to rust (the body of the motor is cast iron). Customer needs to maintain their compressor.	1. Clean the Filter portion of the F/R/L. Drain the water from the compressor tank. Install a dryer to remove excess water from the air.
Exterior of air motor is rusting.	1. If the paint has chipped or worn off of the motor, this is normal . Much of the air motor body is cast iron. The paint used by Gast is a gray vinyl-based lacquer, which is pretty durable, but could eventually come off.	1. Clean or buff rust off, and re-paint the motor (if it is a problem). It will not affect operation of the motor.
Seal on either top or bottom of air motor is leaking.	1. Operating pressure (PSI) could be too high. The type of lip seal used on these motors has a operating limit of 100 PSI. Too high a pressure can blow out the seal. 2. If motor has been well-used, seals are probably just worn out.	1. Replace the seals. Turn down the air pressure in the line to no more than 100 PSI to prevent reoccurrence. (Seals are part of the Air Motor Repair Kits). 2. Replace the seals. Should probably consider rebuilding the motor while they are at it (vaness & bearings are probably about worn out, too). Buy and install Air Motor Repair Kit.
Air motor runs inconsistently at low RPM's. May be described as "rough" or "choppy." May even stall at low RPM's.	1. This is normal. Air motors do not run smoothly at speeds under 200 to 300 RPM; they are somewhat erratic due to the very small amount of air which must be let into the motor in order to get it to run at low speeds. (NOTE : This refers to actual motor RPM , not necessarily the speed the shaft might be turning if it was gear-reduced!)	1. Speed the motor up to at least 300 RPM. The faster you run an air motor the smoother they run. You will also see much more consistent speed and HP output at higher RPM's.
Air motor appears to vibrate at more than normal levels.	1. Could be above-mentioned "rough" operating characteristics if problem is seen only or particularly at low speeds. Condition would be amplified by having a shaft & impeller on the motor, especially if running the mixer dry (out of liquid, in free air). 2. Could be a bad chuck or coupler attached to the air motor, could be a bent mixing shaft , or could be a propeller/blade which needs to be balanced better. 3. Possible that motor shaft is bent. Would probably only happen if motor was brand new and would have taken a blow during shipping to bend it, or dropped .	1. DO NOT OPERATE A MIXER WITH THE SHAFT & IMPELLER OUT OF LIQUID! Damage to motor, shaft, bearings, etc. will result! Try increasing the motor speed to over 300 RPM and see if the operation becomes smoother. 2. Replace the faulty part. Can test to see if shaft is bent by removing and rolling it across a flat table or floor. Chuck or coupler could be visibly off-center or wobbling. May have to switch out parts until problem is solved. 3. Replace motor or motor shaft with rotor.
	1. Muffler is cracked, broken, missing, or element inside muffler is missing or damaged. 2. May NOT actually be a "problem", may be normal air motor noise. Air motors are loud by nature.	1. Replace muffler or element inside muffler. 2. Can suggest that customer attempt to "pipe" the exhaust out of the area by using an air line similar to the one bringing the air TO the motor. Install the muffler at the end of the air line. The exhaust noise will then be elsewhere.

Air Motor - Troubleshooting (continued)

Problem or Complaint	Possible Cause	Remedy
<p>Air motor is OLDER (or has been used for some time) and does not perform up to speed, or seems to have no power.</p>	<ol style="list-style-type: none"> 1. Muffler could be clogged. Element will eventually get filled with dirt, oil, or other contaminants – at which point air cannot get thru it anymore. 2. Air line or F/R/L coming to motor could be blocked or clogged, and therefore not enough CFM or PSI of air would get to the motor to operate properly. 3. Motor could have sludge or other buildup accumulated inside the air motor. Would probably be caused by insufficient cleaning of air prior to entry into the motor. Could also be caused by having too much oil in the air supply, which would make the inside of the motor extra-sticky and tend to trap any dirt, etc. which made it past the Filter. 4. Vanes or other internal parts of motor could be worn out. (Vanes are made of fiberboard and do wear, and will wear especially quickly if the motor has been run with an air supply which is not adequately CLEAN and LUBRICATED. 	<ol style="list-style-type: none"> 1. Replace muffler or element in muffler. (Can test to see if muffler is the problem by REMOVING it for a minute, and running motor to see if speed/power picks up. 2. Remove and clean F/R/L or air line. Most Filters can be washed out with solvent and reused, but may need to be replaced. 3. Remove muffler and Speed Control Valve. Flush motor out with solvent to remove oil and particulates; may need to blow out traces of solvent with air. Then put a few drops of oil in port and spin motor a few times to re-lubricate. Replace muffler and valve. If necessary, adjust oil flow on Lubricator to equal approx. one drop of oil every 50-75 CFM, as per Gast recommendations. 4. Rebuild air motor. INDCO stocks Air Motor Repair Kits for most Gast motors, and instructions are included for installing them.
<p>Air motor appears to be “smoking”.</p>	<ol style="list-style-type: none"> 1. There is nothing in an air motor that can cause “smoke” on its own. It is PROBABLY water vapor coming out the exhaust, which is really steam from the natural expansion of air as it exits the air motor 2. If it IS truly smoke and not steam, the only thing it can really be is the lubricating oil “burning” because the air entering the motor is too hot. 	<ol style="list-style-type: none"> 1. Clean the Filter portion of the F/R/L. Drain the water from the compressor tank. (Compressors naturally “create” water during operation; they actually just concentrate the water vapor or humidity naturally present in all air. This water then settles to the bottom of their compressor tank and must be periodically drained). 2. The customer must be using an air dryer of some sort which heats the air to evaporate the water in it. They probably have the heat set too high. They should consult their owners manual for the dryer for proper settings, or consult with the dryer manufacturer.

Parts List

DIRECT DRIVE - 1/3 HP & 1/2 HP

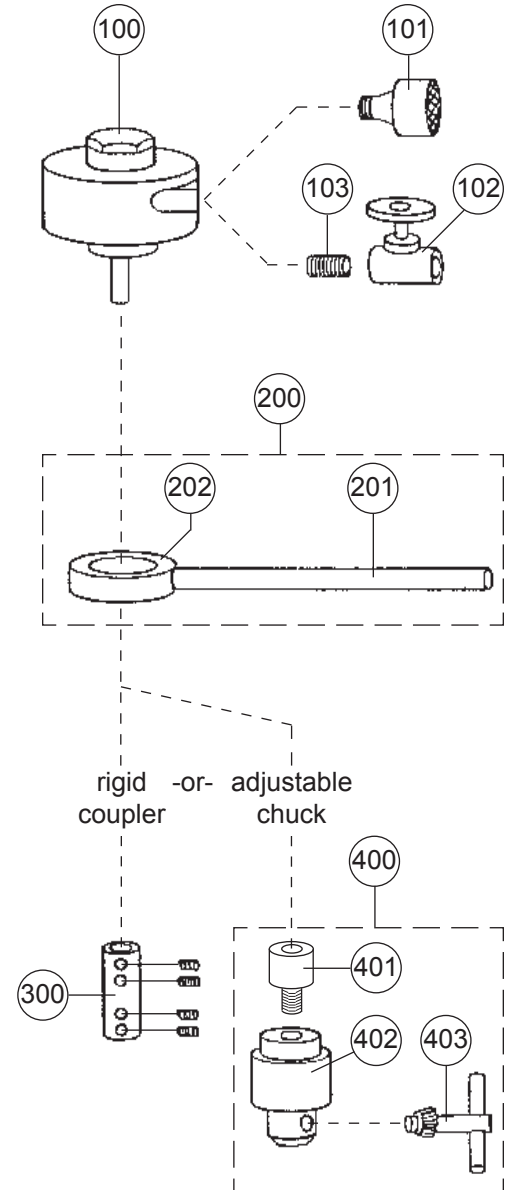
item	Part No.	Description
	AS1AC	consists of:
100.	MTR-1/3-HUB-AIR	1/3 HP - Hub Mount (1AM-NCC-12) CCW
101.	N-AF350	Muffler, metal
	N-K200	Repair Kit* (1AM-NCC-12)
102.	HDW-1/8-VALVE	Needle valve, brass - 1/8"
103.	HDW-175-CNG	Pipe nipple, steel - 1/8"
200.	N-AS30-RR	Rod and Ring Set, consisting of:
201.	HDW-AS30A-S	Mounting Rod, 9/16" dia. x 10" long
202.	HDW-AS30A-R	Mounting Ring (1 1/4" ID, 2" OD)
300.	CPL-3737	Coupler - 3/8" x 3/8" w/set-screws

	AS1AM	consists of:
100.	MTR-1/3-HUB-AIR	1/3 HP - Hub Mount (1AM-NCC-12) CCW
101.	N-AF350	Muffler, metal
	N-K200	Repair Kit* (1AM-NCC-12)
102.	HDW-1/8-VALVE	Needle valve, brass - 1/8"
103.	HDW-175-CNG	Pipe nipple, steel - 1/8"
200.	N-AS30-RR	Rod and Ring Set, consisting of:
201.	HDW-AS30A-S	Mounting Rod, 9/16" dia. x 10" long
202.	HDW-AS30A-R	Mounting Ring (1 1/4" ID, 2" OD)
400.	C-JC301	Chuck Coupler Ass'y Complete, consisting of:
401.	CPL-CHUCK-3/8	Coupler - Chuck to motor shaft
402.	HDW-JC301	Chuck, adjustable - 3/8"
403.	HDW-JCKEY-3/8	Chuck Key

	AS5AC	consists of:
100.	MTR-1/2-HUB-AIR	1/2 HP - Hub Mount (1UP-NCC-1A) CCW
101.	N-AF350	Muffler, metal
	N-K285	Repair Kit* (1UP-NCC-1A)
102.	HDW-1/8-VALVE	Needle valve, brass - 1/8"
103.	HDW-175-CNG	Pipe nipple, steel - 1/8"
200.	N-AS30-RR	Rod and Ring Set, consisting of:
201.	HDW-AS30A-S	Mounting Rod, 9/16" dia. x 10" long
202.	HDW-AS30A-R	Mounting Ring (1 1/4" ID, 2" OD)
300.	CPL-3737	Coupler - 3/8" x 3/8" w/set-screws

	AS5AM	consists of:
100.	MTR-1/2-HUB-AIR	1/2 HP - Hub Mount (1UP-NCC-1A) CCW
101.	N-AF350	Muffler, metal
	N-K285	Repair Kit* (1UP-NCC-1A)
102.	HDW-1/8-VALVE	Needle valve, brass - 1/8"
103.	HDW-175-CNG	Pipe nipple, steel - 1/8"
200.	N-AS30-RR	Rod and Ring Set, consisting of:
201.	HDW-AS30A-S	Mounting Rod, 9/16" dia. x 10" long
202.	HDW-AS30A-R	Mounting Ring (1 1/4" ID, 2" OD)
400.	C-JC301	Chuck Coupler Ass'y Complete, consisting of:
401.	CPL-CHUCK-3/8	Coupler - Chuck to motor shaft
402.	HDW-JC301	Chuck, adjustable - 3/8"
403.	HDW-JCKEY-3/8	Chuck Key

* Repair Kits include: Vanes, shaft seal, o-rings, DE & NDE bearings, body & end cap gaskets.



Parts List

DIRECT DRIVE - 3/4 HP & 1 1/2 HP

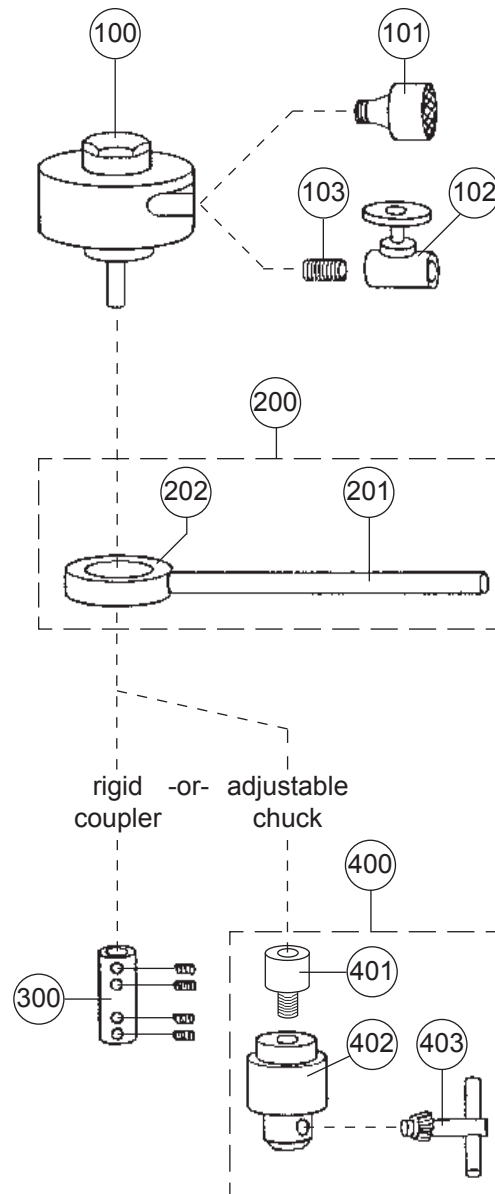
item	Part No.	Description
	AS2AC	consists of:
100.	MTR-3/4-HUB-AIR-CCW	3/4 HP - Hub Mount (2AM-NCC-16) CCW
101.	N-AC980	Muffler, metal
	N-K202	Repair Kit* (2AM-NCC-16)
102.	HDW-1/4-VALVE	Needle valve, brass - 1/4"
103.	HDW-25-CNG	Pipe nipple, steel - 1/4"
200.	N-AS4AM-RR	Rod and Ring Set, consisting of:
201.	HDW-AS4AM-S	Mounting Rod, 5/8" dia. x 10" long
202.	HDW-AS4AM-R	Mounting Ring (1 3/4" ID, 2 3/4" OD)
300.	CPL-5050	Coupler - 1/2" x 1/2" w/set-screws

	AS2AM	consists of:
100.	MTR-3/4-HUB-AIR-CCW	3/4 HP - Hub Mount (2AM-NCC-16) CCW
101.	N-AC980	Muffler, metal
	N-K202	Repair Kit* (2AM-NCC-16)
102.	HDW-1/4-VALVE	Needle valve, brass - 1/4"
103.	HDW-25-CNG	Pipe nipple, steel - 1/4"
200.	N-AS4AM-RR	Rod and Ring Set, consisting of:
201.	HDW-AS4AM-S	Mounting Rod, 5/8" dia. x 10" long
202.	HDW-AS4AM-R	Mounting Ring (1 3/4" ID, 2 3/4" OD)
400.	C-JC500	Chuck Coupler Ass'y Complete, consisting of:
401.	CPL-CHUCK-1/2	Coupler - Chuck to motor shaft
402.	HDW-JC500	Chuck, adjustable - 1/2"
403.	HDW-JCKEY-1/2	Chuck Key

	AS4AC	consists of:
100.	MTR-1.5-HUB-AIR	1 1/2 HP - Hub Mount (4AM-NRV-22B) bi-rotation
101.	N-AC980	Muffler, metal
	N-K205	Repair Kit* (4AM-NRV-22B)
102.	HDW-1/4-VALVE	Needle valve, brass - 1/4"
103.	HDW-25-CNG	Pipe nipple, steel - 1/4"
200.	N-AS4AM-RR	Rod and Ring Set, consisting of:
201.	HDW-AS4AM-S	Mounting Rod, 5/8" dia. x 10" long
202.	HDW-AS4AM-R	Mounting Ring (1 3/4" ID, 2 3/4" OD)
300.	CPL-5050	Coupler - 1/2" x 1/2" w/set-screws

	AS4AM	consists of:
100.	MTR-1.5-HUB-AIR	1 1/2 HP - Hub Mount (4AM-NRV-22B) bi-rotation
101.	N-AC980	Muffler, metal
	N-K205	Repair Kit* (4AM-NRV-22B)
102.	HDW-1/4-VALVE	Needle valve, brass - 1/4"
103.	HDW-25-CNG	Pipe nipple, steel - 1/4"
200.	N-AS4AM-RR	Rod and Ring Set, consisting of:
201.	HDW-AS4AM-S	Mounting Rod, 5/8" dia. x 10" long
202.	HDW-AS4AM-R	Mounting Ring (1 3/4" ID, 2 3/4" OD)
400.	C-JC500	Chuck Coupler Ass'y Complete, consisting of:
401.	CPL-CHUCK-1/2	Coupler - Chuck to motor shaft
402.	HDW-JC500	Chuck, adjustable - 1/2"
403.	HDW-JCKEY-1/2	Chuck Key

* Repair Kits include: Vanes, shaft seal, o-rings, DE & NDE bearings, body & end cap gaskets.



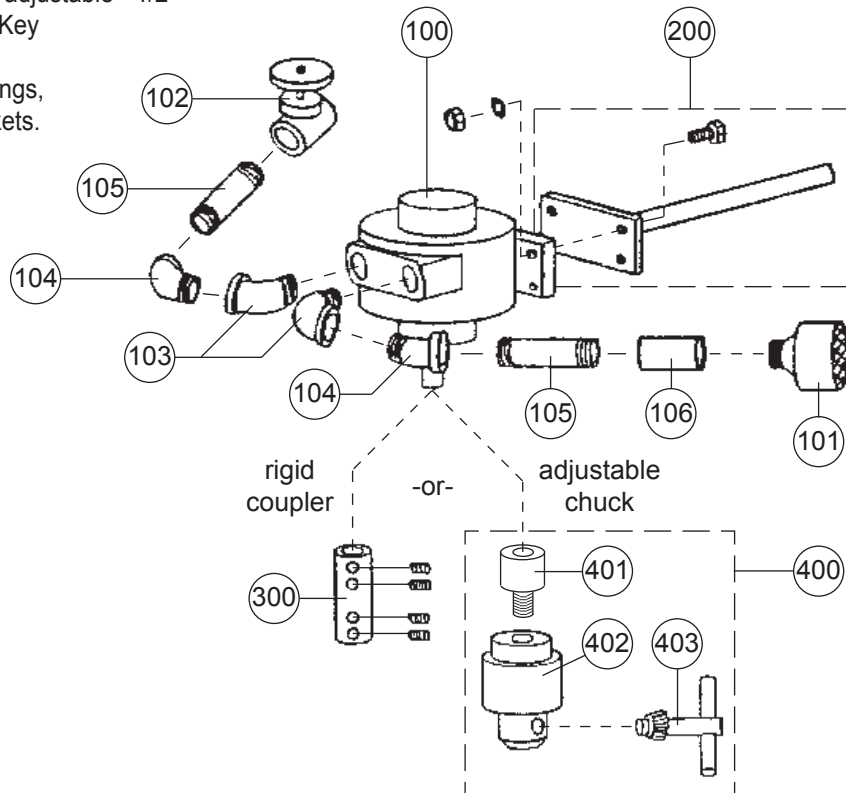
Parts List

DIRECT DRIVE - 4HP

item	Part No.	Description
	AS6AC	consists of:
100.	MTR-4-FOOT-AIR	4HP - Foot Mount (6AM-FRV-5A) bi-rotation
101.	N-AC990	Muffler, metal
	N-K208	Repair Kit* (6AM-FRV-5A)
102.	HDW-1/2-VALVE	Gate valve, brass - 1/2"
103.	HDW-5090-SEB	Elbow, 90° street - 1/2"
104.	HDW-5045-SEB	Elbow, 45° street - 1/2"
105.	HDW-5004-SNB	Nipple - 1/2" x 4"
106.	HDW-50-SCB	Coupling - 1/2"
200.△	C-0-NI	Mounting Rod ass'y., consisting of:
	△ MET-6AM-MOTORPLATE	Flat plate, 3" x 5" x 1/4"
	△ N-SHF-7510	Rod, 3/4" dia. x 10" long
300.	CPL-6262	Coupler - 5/8" x 5/8" w/set-screws

	AS6AM	consists of:
100.	MTR-4-FOOT-AIR	4HP - Foot Mount (6AM-FRV-5A) bi-rotation
101.	N-AC990	Muffler, metal
	N-K208	Repair Kit* (6AM-FRV-5A)
102.	HDW-1/2-VALVE	Gate valve, brass - 1/2"
103.	HDW-5090-SEB	Elbow, 90° street - 1/2"
104.	HDW-5045-SEB	Elbow, 45° street - 1/2"
105.	HDW-5004-SNB	Nipple - 1/2" x 4"
106.	HDW-50-SCB	Coupling - 1/2"
200.△	C-0-NI	Mounting Rod ass'y., consisting of:
	△ MET-6AM-MOTORPLATE	Flat plate, 3" x 5" x 1/4"
	△ N-SHF-7510	Rod, 3/4" dia. x 10" long
400.	C-JC558	Chuck Coupler Ass'y Complete, consisting of:
401.	CPL-CHUCK-5/8	Coupler - Chuck to motor shaft
402.	HDW-JC500	Chuck, adjustable - 1/2"
403.	HDW-JCKEY-1/2	Chuck Key

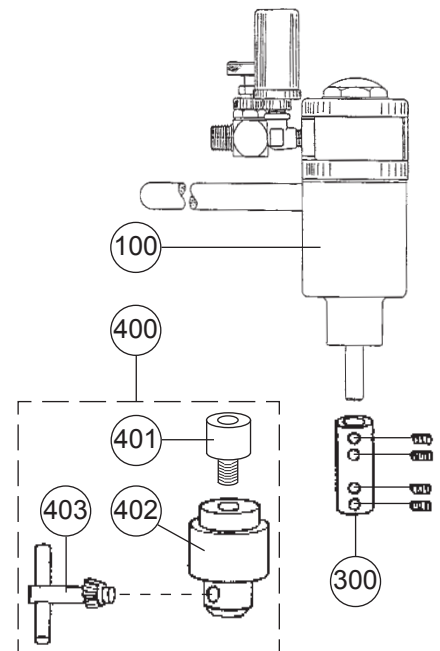
* Repair Kits include: Vanes, shaft seal, o-rings, DE & NDE bearings, body & end cap gaskets.



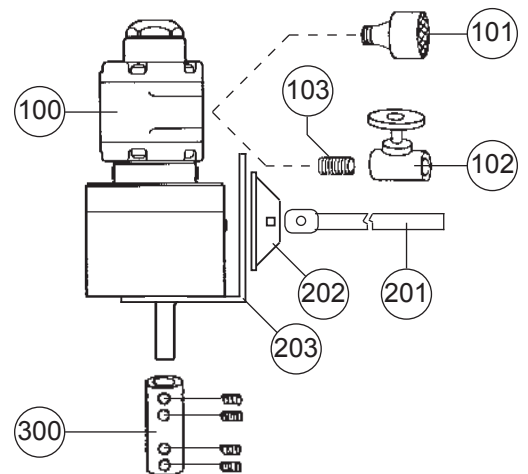
Parts List

GEAR DRIVE - 1/3 HP & 3/4 HP

item	Part No.	Description
	AS1GC	consists of:
100.	C-AS1GC	1/3 HP - Gear Drive 7:1 ratio - CCW-rotation Complete with speed control valve, exhaust muffler & mounting rod ass'y.
300.	CPL-3737	Coupler - 3/8" x 3/8" w/set-screws
	AS1GM	consists of:
100.	C-AS1GC	1/3 HP - Gear Drive 7:1 ratio - CCW-rotation Complete with speed control valve, exhaust muffler & mounting rod ass'y.
400.	C-JC301	Chuck Coupler Ass'y Complete, consisting of:
401.	CPL-CHUCK-3/8	Coupler - Chuck to motor shaft
402.	HDW-JC301	Chuck, adjustable - 3/8"
403.	HDW-JCKEY-3/8	Chuck Key



	AS5GC	consists of:
100.	MTR-1AM-NRV-56-GR11	1/3 HP - Gear Drive 15:1 ratio - CCW-rotation
101.	N-AF350	Muffler, metal
	N-K201	Repair Kit* (air motor only)
102.	HDW-1/8-VALVE	Needle valve, brass - 1/8"
103.	HDW-175-CNG	Pipe nipple, steel - 1/8"
201.	HDW-101-30P	Mounting Rod, 1/2" x 8"
202.	HDW-101-31	Mounting Rod Bracket
203.	HDW-15-BS	Mounting Bracket
300.	CPL-5050	Coupler - 1/2" x 1/2" w/set-screws
		* Repair Kits include: Vanes, shaft seal, o-rings, DE & NDE bearings, body & end cap gaskets.



	AS2GM	consists of:
101.	N-AC980	Muffler, metal
	N-K510	Repair Kit* (2AM-NRV-90)
102.	HDW-1/4-VALVE	Needle valve, brass - 1/4"
103.	HDW-25-CNG	Pipe nipple, steel - 1/4"
150.	HDW-GB-AS2GM	Gear Reducer, 5:1 ratio
200.△	C-0-NI	Mounting Rod ass'y., consisting of:
△	FLAT PLATE	Flat plate, 8" x 1 1/2" x 1/4"
△	N-SHF-7510	Mounting Rod, 3/4" dia. x 10" long
400.	C-JC558	Chuck Coupler Ass'y Complete, consisting of:
401.	CPL-CHUCK-5/8	Coupler - Chuck to motor shaft
402.	HDW-JC500	Chuck, adjustable - 1/2"
403.	HDW-JCKEY-1/2	Chuck Key
		* Repair Kits include: Vanes, shaft seal, o-rings, DE & NDE bearings, body & end cap gaskets.

