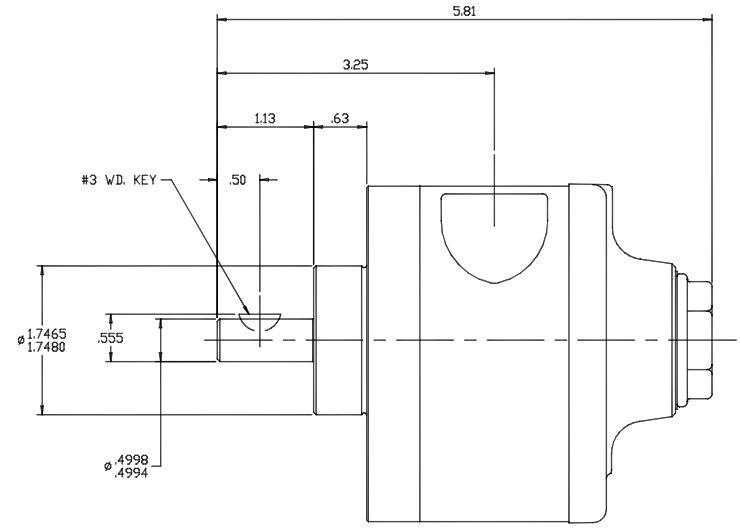
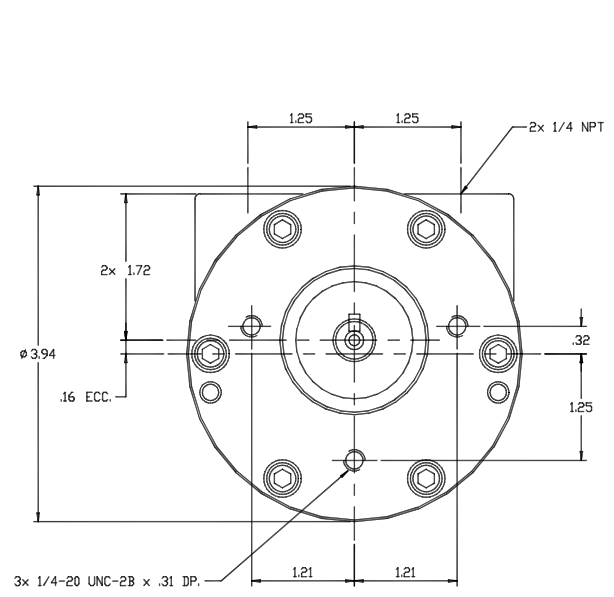
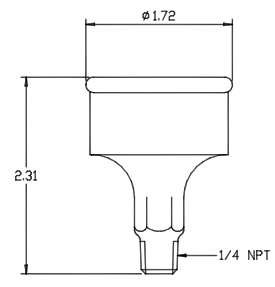


SYL	LOC.	REVISIONS	DATE	BY	CHK
---	---	RE-DRAWN TO CAD	12-19-87	DCM	----



4AM-NRV-22B



AC980 MUFFLER
 SHIPPED UNATTACHED

FLATNESS	ALL DIMENSIONS "REF" UNLESS OTHERWISE TOLERANCED	DWG	DR. BY	DCM	DATE	6-26-75	MANUFACTURING CORPORATION BENTON HARBOR, MICH. U.S.A.
SURFACE PROFILE		SIZE	S.J.B.	SCALE	1 : 1	M	
PARALLEL			ENG. APPR	ARK	(LOCATION)	PRD2	NAME
PERPENDICULAR							DIMENSIONAL (REV.) AIR MOTOR ASM.
TILE POSITION							PART NO.
CYLINDRICAL							4AM-NRV-22B
CONCENTRIC	MATERIAL		DRAWING NO.	ASM14002			REV.
CIRCULAR RUN-OUT	GAST STANDARD						
TOTAL RUN-OUT							