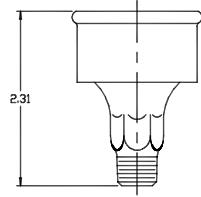
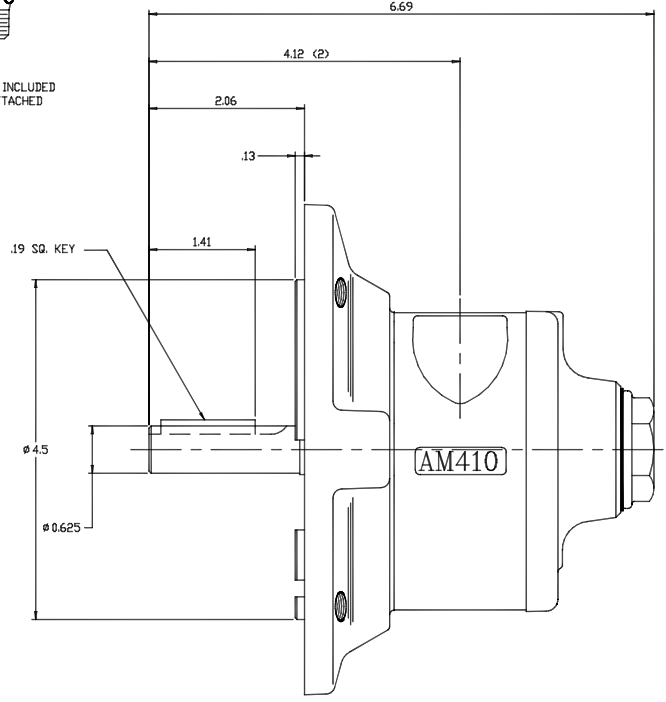
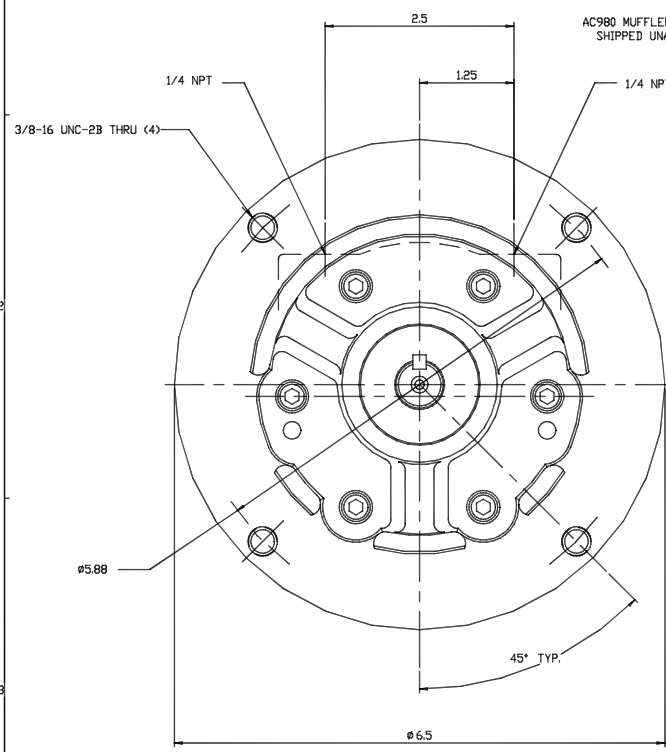


REV	LOC	REVISION	DATE	BY	CHK



AC980 MUFFLER INCLUDED  
SHIPPED UNATTACHED



4AM-NRV-50C

FLANGES	ALL DIMENSIONS REF. UNLESS OTHERWISE TOLERANCED	DWG	DR. BY	MGT	DATE	9-28-89	<b>GAST</b> MANUFACTURING CORPORATION CENTER HAVEN, MA 01830 U.S.A.
SURFACE PROFILE			S.J.B.	SCALE	1:1	SOURCE CODE	
PERIPHERAL		SIZE	ENG. APPR.	R.J.S.	ULTIMATE	PRD	NAME
CYLINDRICAL							DIMENSIONAL AIR MITER
CONCENTRIC	MATERIAL		DRAWING NO.	ASM14014			PART NO.
CIRCULAR RUN-OUT							4AM-NRV-50C
TOTAL RUN-OUT							REV.