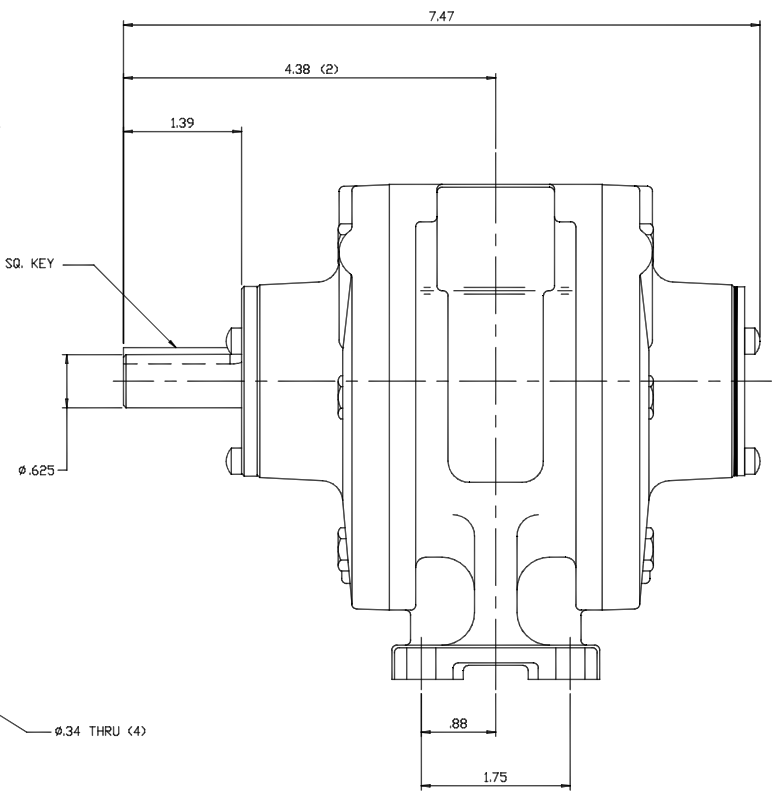
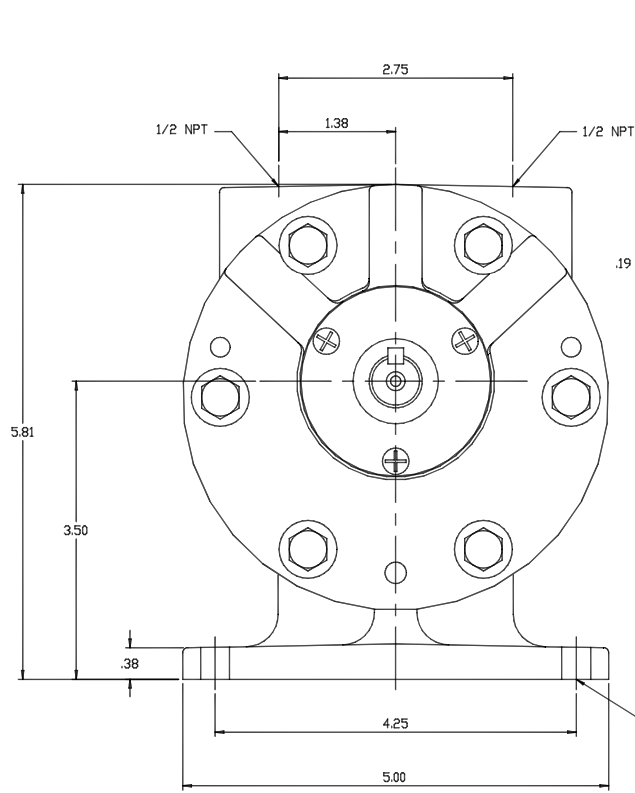
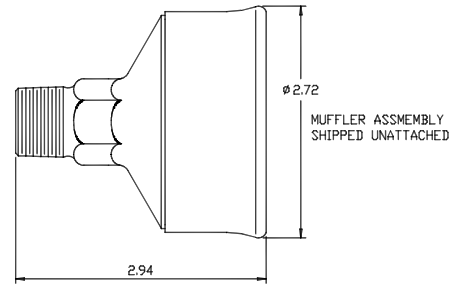


SYN	LIC.	REVISING	DATE	BY	CHK



6AM-FRV-5A



FLATNESS	ALL DIMENSIONS "REF" UNLESS OTHERWISE TOLERANCED	DWG	DR. BY	MGT	DATE	10-2-89	MANUFACTURING CORPORATION BENTON HARBOR, MICH. U.S.A.
SURFACE PROFILE					SCALE	1:1	
PARALLEL					ENG. APPR	RJS	NAME
PERPENDICULAR					LOCATION	MAIN	DIMENSIONAL
TRUE POSITION					REV.	REP.	AIR MOTOR
CYLINDRICAL					DRAWING NO.	ASM15002	PART NO.
CONCENTRIC							6AM-FRV-5A
CIRCULAR RUN-OUT							REV.
TOTAL RUN-OUT							